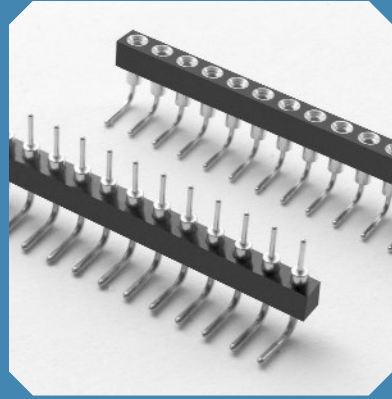


# Board to Board Connectors



## Features:

- High reliability method of interconnecting PCB to PCB.
- .018/(.46mm) diameter male pins.
- Screw-machined terminals with multi-finger contacts.

## Specifications:

### Terminals:

Brass - Copper Alloy  
(C36000) ASTM-B-16

### Contacts:

Beryllium Copper  
(C17200) ASTM-B-194

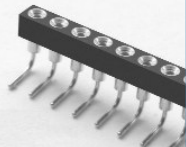
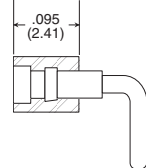
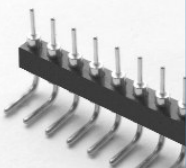
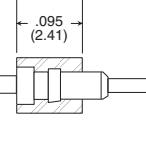
### Plating:

G - Gold over Nickel  
M - Matte Tin over Nickel  
T - Tin/Lead over Nickel

Gold per ASTM-B-488  
Matte Tin per ASTM545-97  
Tin/Lead per MIL-P-81728  
Nickel per QQ-N-290

# Single Row Right Angle Board to Board Connectors .100/(2.54mm) Pitch • Molded Insulators

## Table of Models

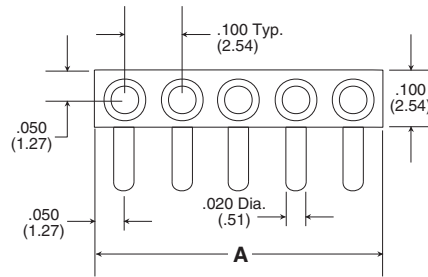
Female		<p>Description: <b>FR-4 Single Row (FLSS)</b> Material: FR-4 Fiberglass Epoxy Board Index: -40°C to 140°C (-40°F to 284°F)</p>	
Male		<p>Description: <b>FR-4 Single Row (FLSA)</b> Material: FR-4 Fiberglass Epoxy Board Index: -40°C to 140°C (-40°F to 284°F)</p>	

FLSS replaces RLSS and FLSA replaces RLSA.

## Dimensional Information

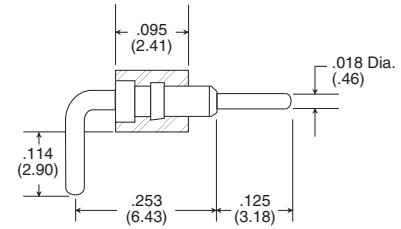
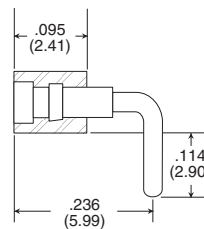
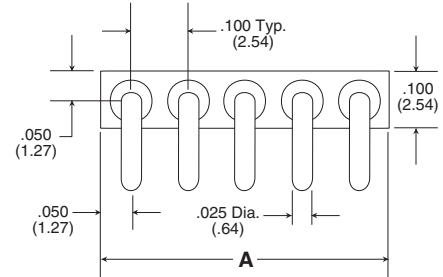
### Female

#### FLSSXXX-160XX



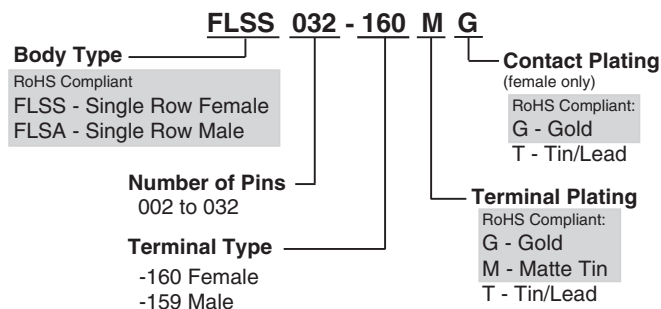
### Male

#### FLSAXXX-159X



$$A = \text{Pitch } .100/(2.54\text{mm}) \times \text{Number of Terminals in Row}$$

## How To Order



Note: Terminals plated with Matte Tin are available only with Gold plated contacts.

Products shown covered by patents issued and/or pending. Specifications subject to change without notice.

inch/(mm)



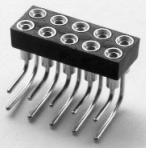
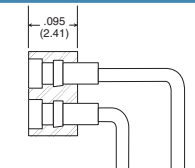
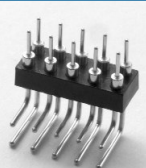
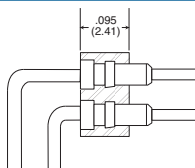
5 Energy Way, West Warwick, RI 02893 USA  
Tel: 800.424.9850 | 401.823.5200  
Fax: 401.823.8723  
info@advanced.com | www.advanced.com  
Catalog 16A Rev. 1

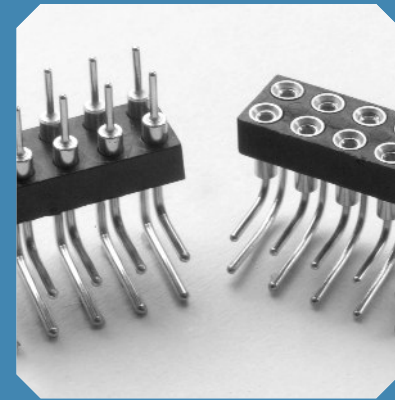
# Dual Row Right Angle Board to Board Connectors

## .100/(2.54mm) Pitch • Molded Insulators

# Board to Board Connectors

### Table of Models

Female	 <p><b>Description:</b> Molded Dual Row (RLSS)  <b>Material:</b> High Temp. Liquid Crystal Polymer (LCP)  <b>Index:</b> -40°C to 260°C (-40°F to 500°F)</p>	
Male	 <p><b>Description:</b> Molded Dual Row (RLSA)  <b>Material:</b> High Temp. Liquid Crystal Polymer (LCP)  <b>Index:</b> -40°C to 260°C (-40°F to 500°F)</p>	

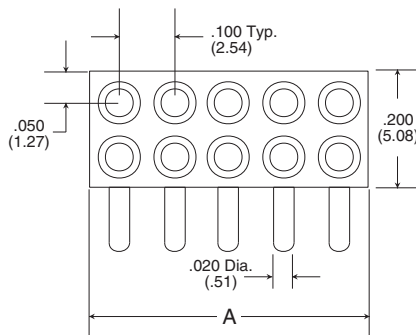


### Dimensional Information

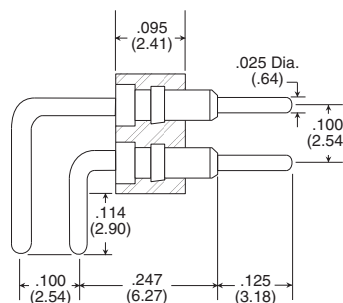
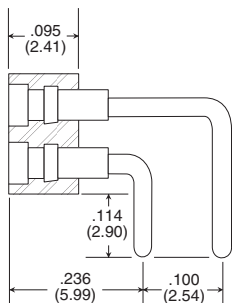
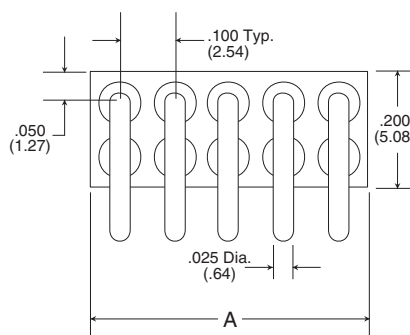
Female

Male

RLSSXXX-162XX



RLSAXXX-161X



A = Pitch .100/(2.54mm) x Number of Terminals in Row

### Features:

- High reliability method of interconnecting PCB to PCB.
- .025/(.64mm) diameter male pins.
- .100/(2.54mm) row to row pitch.
- Screw-machined terminals with multi-finger contacts.

### Specifications:

#### Terminals:

Brass - Copper Alloy  
(C36000) ASTM-B-16

#### Contacts:

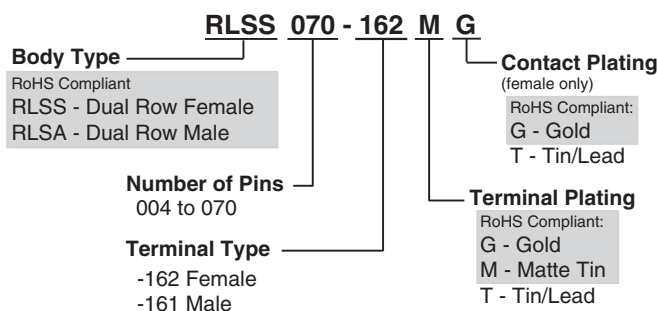
Beryllium Copper  
(C17200) ASTM-B-194

#### Plating:

G - Gold over Nickel  
M - Matte Tin over Nickel  
T - Tin/Lead over Nickel

Gold per ASTM-B-488  
Matte Tin per ASTM545-97  
Tin/Lead per MIL-P-81728  
Nickel per QQ-N-290

### How To Order



Note: Terminals plated with Matte Tin are available only with Gold plated contacts.

inch/(mm)

Products shown covered by patents issued and/or pending. Specifications subject to change without notice.



5 Energy Way, West Warwick, RI 02893 USA  
Tel: 800.424.9850 | 401.823.5200  
Fax: 401.823.8723  
info@advanced.com | www.advanced.com  
Catalog 16A Rev. 1