



## Advanced® Terminals

		<p><b>Socket (Female) Terminals</b></p> <ul style="list-style-type: none"> <li>• Screw-machined terminals with multi-finger contacts</li> <li>• Designed for use in molded, FR-4 or Peel-A-Way® Removable Terminal Carrier insulators</li> <li>• Consult factory for availability of loose terminals</li> <li>• Custom designs available</li> <li>• See pages 63-73</li> </ul>
		<p><b>Adapter (Male) Terminals</b></p> <ul style="list-style-type: none"> <li>• Screw-machined terminals</li> <li>• Designed for use in molded, FR-4 or Peel-A-Way® Removable Terminal Carrier insulators</li> <li>• Consult factory for availability of loose terminals</li> <li>• Custom designs available</li> <li>• See pages 74-79</li> </ul>
		<p><b>Solder Preform Terminals</b></p> <ul style="list-style-type: none"> <li>• Patented solder preform terminals eliminate the need for wave soldering in mixed technology applications</li> <li>• Designed for use in molded, FR-4 or Peel-A-Way® Removable Terminal Carrier insulators</li> <li>• Available with either standard Tin/Lead preforms or new lead-free Tin/Silver/Copper preforms</li> <li>• Custom designs available</li> <li>• See page 80</li> </ul>

### Specifications:

#### Material:

Terminal: Brass - Copper Alloy (C36000) ASTM-B-16

Contact: Beryllium Copper - Copper Alloy (C17200) ASTM-B-194

#### Contact Plating:

G - Gold over Nickel  
T - Tin/Lead over Nickel

#### Terminal Plating:

G - Gold over Nickel  
M - Matte Tin over Nickel  
T - Tin/Lead over Nickel

## EMC® Terminals and Test Jacks



### Insulated and Non-Insulated Terminals and Test Jacks

EMC Product Nurl-Loc® Design

EMC Product Nurl-Loc® Insertion Tools

#### Non-Insulated Terminals

MIL-T-55155 (EMC Product NIT Series)

Nurl-Loc® Design (EMC Product NIT Series)

#### Test Jacks

Non-Insulated Test Jacks (EMC Product NIJ Series)

.040" and .080" Military & Commercial Test Jacks (EMC MTJ Series)

Molded Banana and .080" Test Jacks (EMC Product BTJ Series)

#### Standoffs

Single Turret Standoff Terminals (EMC Product STS Series)

Double Turret Standoff Terminals (EMC Product DTS Series)

Straight Pin Standoff Terminals (EMC Product SPS Series)

Bifurcated Pin Standoff Terminals (EMC Product BPS Series)

Threaded & Tapped Hole Standoff Terminals (EMC Product TTS Series)

MIL-T-55155 Standoff Terminals (EMC Product MST Series)

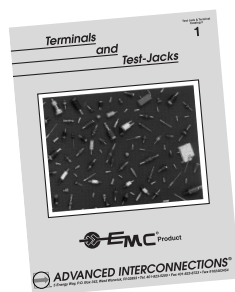
#### Feed-Thrus

Single Turret Feed-Thru Terminals (EMC Product STF Series)

Double Turret Feed-Thru Terminals (EMC Product DTF Series)

Bifurcated, Threaded and Tapped Hole Feed-Thru Terminals (EMC Product FT Series)

Straight Pin and Threaded Body Feed-Thru Terminals (EMC Product FT Series)

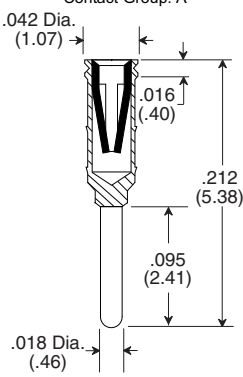
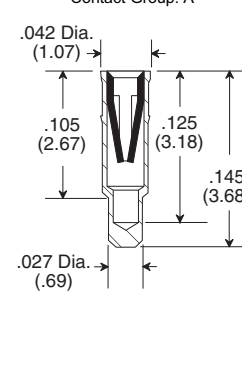
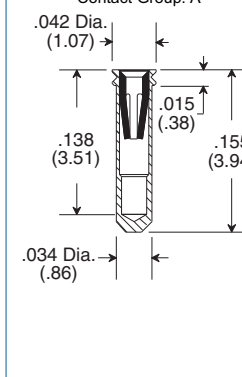
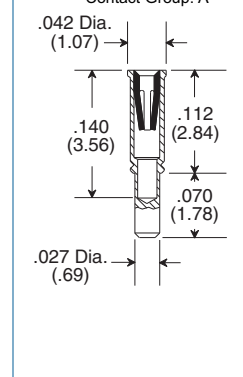
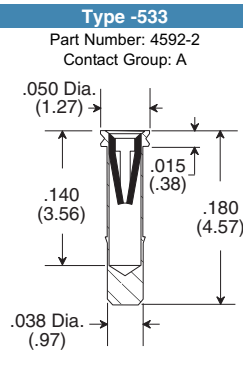
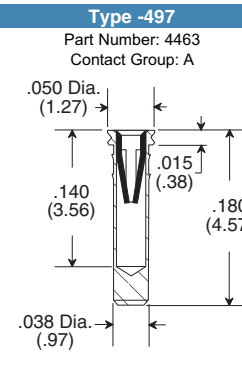
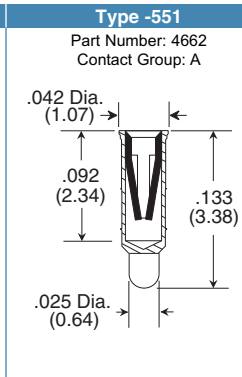
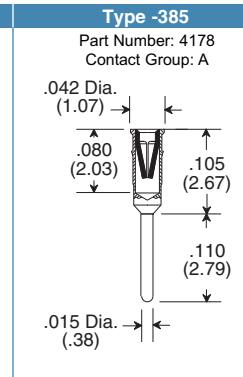
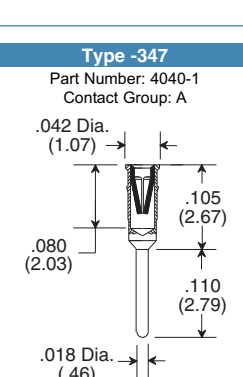
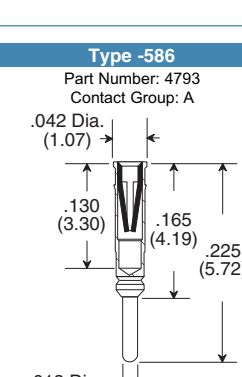
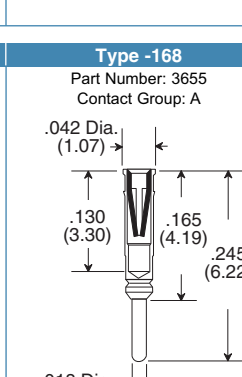
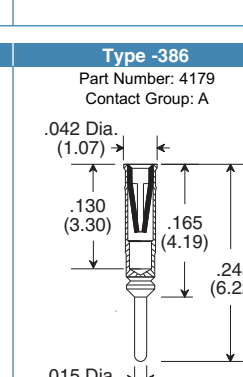
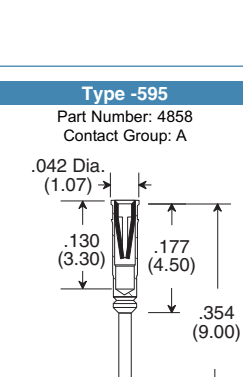
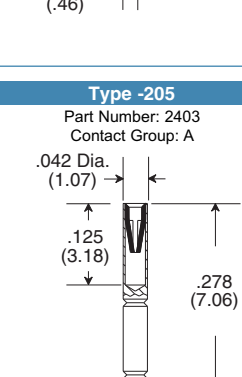
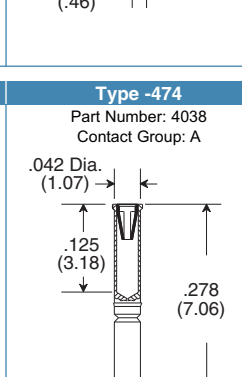
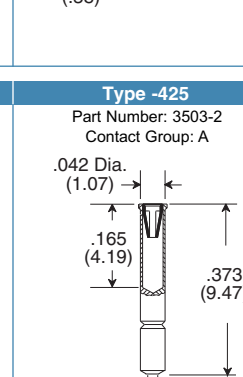


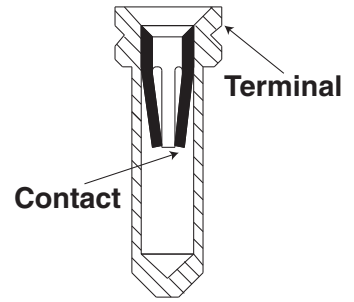
Available Online



## Socket (Female) Terminals

Contact Acceptance Range .016/(.41mm) - .022/(.56mm) Dia. or .010/(.25mm) x .018/(.46mm) Rectangular Lead

<p><b>Type -674</b> Part Number: 5456 Contact Group: A</p> 	<p><b>Type -529</b> Part Number: 4573 Contact Group: A</p> 	<p><b>Type -227</b> Part Number: 2647 Contact Group: A</p> 	<p><b>Type -281</b> Part Number: 3523 Contact Group: A</p> 
<p><b>Type -533</b> Part Number: 4592-2 Contact Group: A</p> 	<p><b>Type -497</b> Part Number: 4463 Contact Group: A</p> 	<p><b>Type -551</b> Part Number: 4662 Contact Group: A</p> 	<p><b>Type -385</b> Part Number: 4178 Contact Group: A</p> 
<p><b>Type -347</b> Part Number: 4040-1 Contact Group: A</p> 	<p><b>Type -586</b> Part Number: 4793 Contact Group: A</p> 	<p><b>Type -168</b> Part Number: 3655 Contact Group: A</p> 	<p><b>Type -386</b> Part Number: 4179 Contact Group: A</p> 
<p><b>Type -595</b> Part Number: 4858 Contact Group: A</p> 	<p><b>Type -205</b> Part Number: 2403 Contact Group: A</p> 	<p><b>Type -474</b> Part Number: 4038 Contact Group: A</p> 	<p><b>Type -425</b> Part Number: 3503-2 Contact Group: A</p> 



### Specifications:

#### Material:

Terminal: Brass - Copper Alloy (C36000) ASTM-B-16

Contact: Beryllium Copper - Copper Alloy (C17200) ASTM-B-194

#### Contact Plating:

G - Gold over Nickel  
T - Tin/Lead over Nickel

#### Terminal Plating:

G - Gold over Nickel  
M - Matte Tin over Nickel  
T - Tin/Lead over Nickel

Gold per ASTM-B-488  
Matte Tin per ASTM545-97  
Tin/Lead per MIL-P-81728  
Nickel per QQ-N-290

Note: For use in Peel-A-Way® Removable Terminal Carrier body types, select a terminal with a "V" groove.



Terminals not drawn to scale.

### EXPRESS Delivery



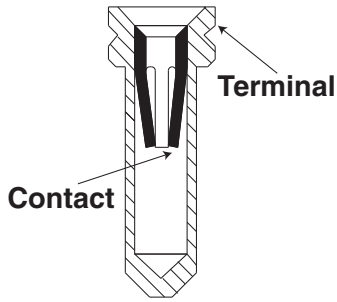
Terminals shown with the new EXPRESS symbol are available in most insulator body types with fast lead time. Some quantity and plating restrictions apply. Search our Distributor inventory online at [www.advanced.com](http://www.advanced.com), or check with customer service for availability.



5 Energy Way, West Warwick, RI 02893 USA  
Tel: 800.424.9850 | 401.823.5200  
Fax: 401.823.8723  
[info@advanced.com](mailto:info@advanced.com) | [www.advanced.com](http://www.advanced.com)  
Catalog 16A

## Socket (Female) Terminals

Contact Acceptance Range .016/(.41mm) - .022/(.56mm) Dia. or .010/(.25mm) x .018/(.46mm) Rectangular Lead



### Specifications:

#### Material:

Terminal: Brass - Copper Alloy (C36000) ASTM-B-16

Contact: Beryllium Copper - Copper Alloy (C17200) ASTM-B-194

#### Contact Plating:

G - Gold over Nickel  
T - Tin/Lead over Nickel

#### Terminal Plating:

G - Gold over Nickel  
M - Matte Tin over Nickel  
T - Tin/Lead over Nickel

Gold per ASTM-B-488  
Matte Tin per ASTM545-97  
Tin/Lead per MIL-P-81728  
Nickel per QQ-N-290

Note: For use in Peel-A-Way® Removable Terminal Carrier body types, select a terminal with a "V" groove.



Terminals not drawn to scale.

### EXPRESS Delivery



Terminals shown with the new EXPRESS symbol are available in most insulator body types with fast lead time. Some quantity and plating restrictions apply. Search our Distributor inventory online at [www.advanced.com](http://www.advanced.com), or check with customer service for availability.

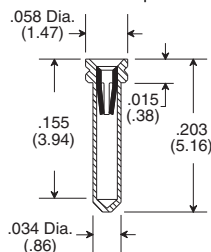
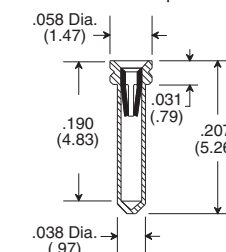
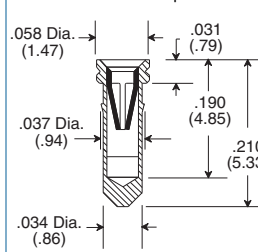
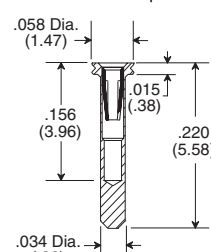
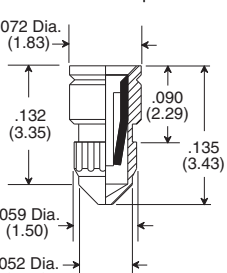
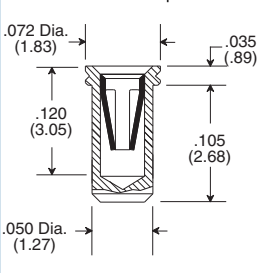
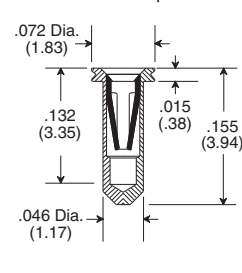
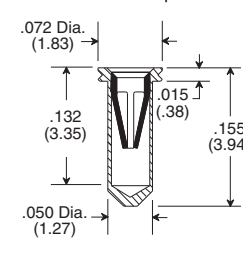
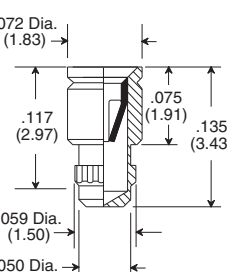
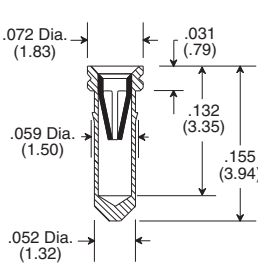
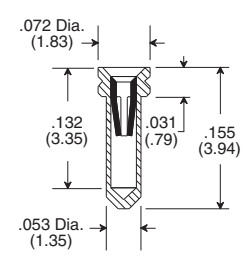
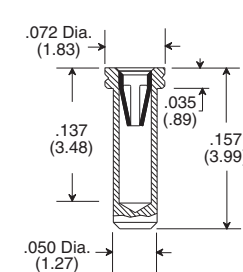
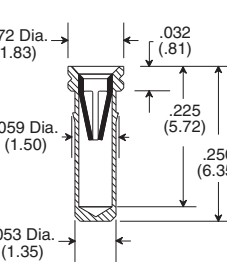
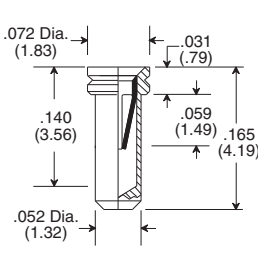
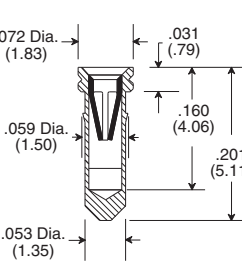
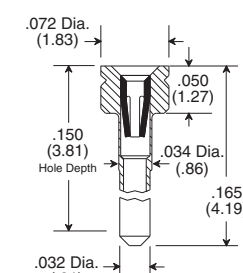


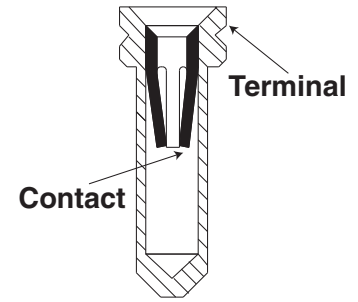
5 Energy Way, West Warwick, RI 02893 USA  
Tel: 800.424.9850 | 401.823.5200  
Fax: 401.823.8723  
info@advanced.com | www.advanced.com  
Catalog 16A

Type -496	Type -505	Type -269	Type -550
Part Number: 4462 Contact Group: A 	Part Number: 4511 Contact Group: A 	Part Number: 3503-1 Contact Group: A 	Part Number: 4659 Contact Group: A 
Type -491	Type -246	Type -294	Type -517
Part Number: 4427 Contact Group: A 	Part Number: 3257 Contact Group: A 	Part Number: 3784 Contact Group: A 	Part Number: 4520 Contact Group: A 
Type -290	Type -85	Type -176	Type -210
Part Number: 3708 Contact Group: A 	Part Number: 1371 Contact Group: A 	Part Number: 2239 Contact Group: A 	Part Number: 2887 Contact Group: A 
Type -350	Type -69	Type -428	
Part Number: 4041 Contact Group: A 	Part Number: 1401 Contact Group: A 	Part Number: 4316 Contact Group: A 	

## Socket (Female) Terminals

Contact Acceptance Range .016/(.41mm) - .022/(.56mm) Dia. or .010/(.25mm) x .018/ (.46mm) Rectangular Lead

<p><b>Type -324</b> Part Number: 3208 Contact Group: A</p> 	<p><b>Type -190</b> Part Number: 2383 Contact Group: A</p> 	<p><b>Type -259</b> Part Number: 3354 Contact Group: A</p> 	<p><b>Type -842</b> Part Number: 6832 Contact Group: A</p> 
<p><b>Type -60</b> Part Number: 1408 Contact Group: C</p> 	<p><b>Type -335</b> Part Number: 3984 Contact Group: B</p> 	<p><b>Type -359</b> Part Number: 4076 Contact Group: C</p> 	<p><b>Type -282</b> Part Number: 3554 Contact Group: C</p> 
<p><b>Type -70</b> Part Number: 1678 Contact Group: C</p> 	<p><b>Type -237</b> Part Number: 3129 Contact Group: C</p> 	<p><b>Type -50</b> Part Number: 1242 Contact Group: C</p> 	<p><b>Type -353</b> Part Number: 4059 Contact Group: C</p> 
<p><b>Type -651</b> Part Number: 5242 Contact Group: C</p> 	<p><b>Type -84</b> Part Number: 1316 Contact Group: C</p> 	<p><b>Type -25</b> Part Number: 1093 Contact Group: C</p> 	<p><b>Type -73</b> Part Number: 1654 Contact Group: A</p> 



### Specifications:

#### Material:

Terminal: Brass - Copper Alloy (C36000) ASTM-B-16

Contact: Beryllium Copper - Copper Alloy (C17200) ASTM-B-194

#### Contact Plating:

G - Gold over Nickel  
T - Tin/Lead over Nickel

#### Terminal Plating:

G - Gold over Nickel  
M - Matte Tin over Nickel  
T - Tin/Lead over Nickel

Gold per ASTM-B-488  
Matte Tin per ASTM545-97  
Tin/Lead per MIL-P-81728  
Nickel per QQ-N-290

Note: For use in Peel-A-Way® Removable Terminal Carrier body types, select a terminal with a "V" groove.



Terminals not drawn to scale.

### EXPRESS Delivery



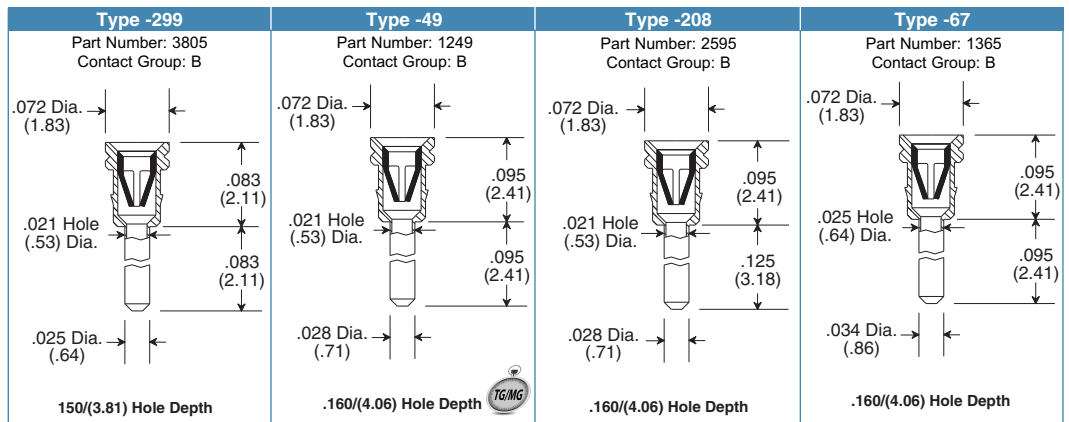
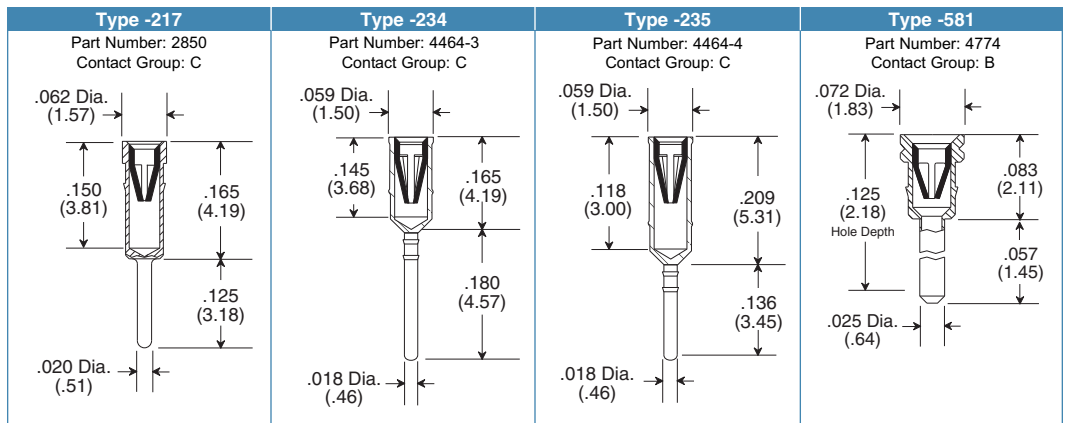
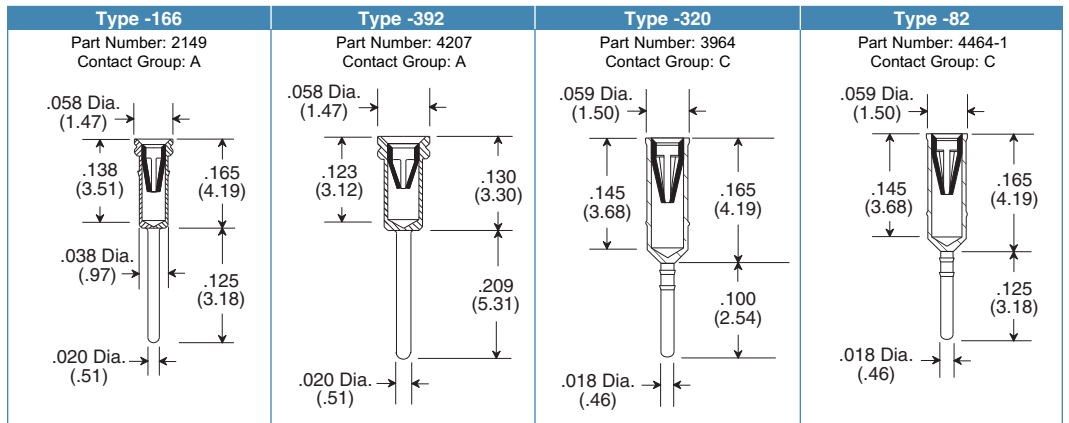
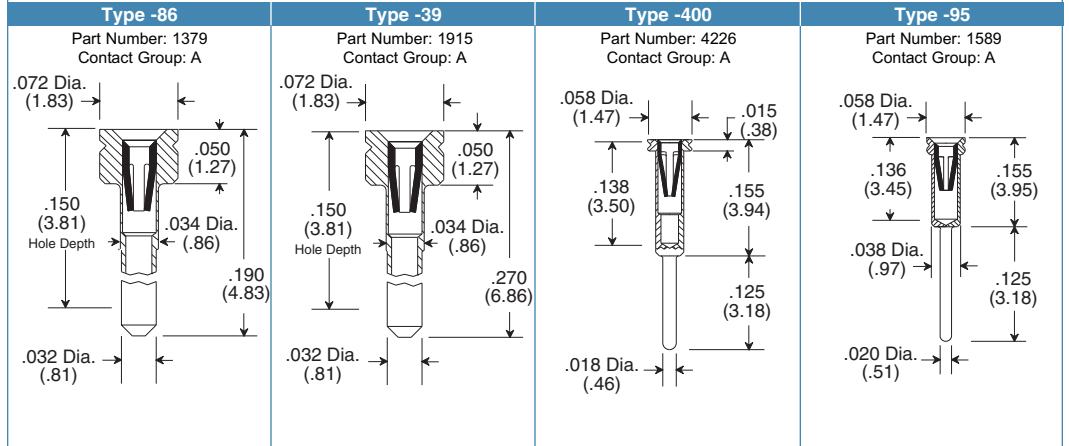
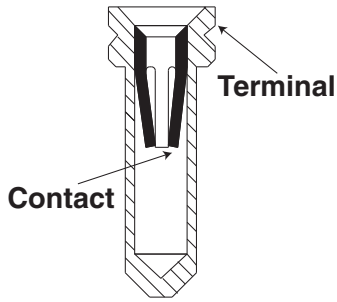
Terminals shown with the new EXPRESS symbol are available in most insulator body types with fast lead time. Some quantity and plating restrictions apply. Search our Distributor inventory online at [www.advanced.com](http://www.advanced.com), or check with customer service for availability.



5 Energy Way, West Warwick, RI 02893 USA  
Tel: 800.424.9850 | 401.823.5200  
Fax: 401.823.8723  
[info@advanced.com](mailto:info@advanced.com) | [www.advanced.com](http://www.advanced.com)  
Catalog 16A

## Socket (Female) Terminals

Contact Acceptance Range .016/(.41mm) - .022/(.56mm) Dia. or .010/(.25mm) x .018/(.46mm) Rectangular Lead



### Specifications:

#### Material:

Terminal: Brass - Copper Alloy (C36000) ASTM-B-16

Contact: Beryllium Copper - Copper Alloy (C17200) ASTM-B-194

#### Contact Plating:

G - Gold over Nickel  
T - Tin/Lead over Nickel

#### Terminal Plating:

G - Gold over Nickel  
M - Matte Tin over Nickel  
T - Tin/Lead over Nickel

Gold per ASTM-B-488

Matte Tin per ASTM545-97

Tin/Lead per MIL-P-81728

Nickel per QQ-N-290

Note: For use in Peel-A-Way® Removable Terminal Carrier body types, select a terminal with a "V" groove.



Terminals not drawn to scale.

### EXPRESS Delivery



Terminals shown with the new EXPRESS symbol are available in most insulator body types with fast lead time. Some quantity and plating restrictions apply. Search our Distributor inventory online at [www.advanced.com](http://www.advanced.com), or check with customer service for availability.

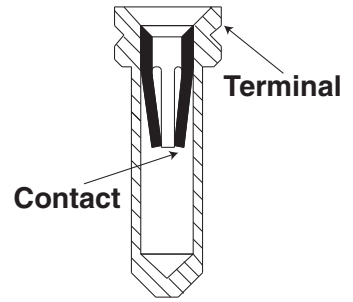


5 Energy Way, West Warwick, RI 02893 USA  
Tel: 800.424.9850 | 401.823.5200  
Fax: 401.823.8723  
info@advanced.com | www.advanced.com  
Catalog 16A

## Socket (Female) Terminals

Contact Acceptance Range .016/(.41mm) - .022/(.56mm) Dia. or .010/(.25mm) x .018/(.46mm) Rectangular Lead

Type -448	Type -136	Type -04	Type -38
Part Number: 4417 Contact Group: B 	Part Number: 1828 Contact Group: B 	Part Number: 1124 Contact Group: C 	Part Number: 1104 Contact Group: C 
Type -358	Type -500	Type -148	Type -51
Part Number: 4071 Contact Group: C 	Part Number: 4445 Contact Group: C 	Part Number: 1922 Contact Group: C 	Part Number: 1282 Contact Group: C 
Type -364	Type -285	Type -218	Type -243
Part Number: 4095 Contact Group: C 	Part Number: 3578 Contact Group: C 	Part Number: 3023 Contact Group: C 	Part Number: 3199 Contact Group: C 
Type -537	Type -384	Type -242	Type -01
Part Number: 4613 Contact Group: C 	Part Number: 4177 Contact Group: C 	Part Number: 3219 Contact Group: C 	Part Number: 1003 Contact Group: C 



### Specifications:

#### Material:

Terminal: Brass - Copper Alloy (C36000) ASTM-B-16

Contact: Beryllium Copper - Copper Alloy (C17200) ASTM-B-194

#### Contact Plating:

G - Gold over Nickel  
T - Tin/Lead over Nickel

#### Terminal Plating:

G - Gold over Nickel  
M - Matte Tin over Nickel  
T - Tin/Lead over Nickel

Gold per ASTM-B-488  
Matte Tin per ASTM545-97  
Tin/Lead per MIL-P-81728  
Nickel per QQ-N-290

Note: For use in Peel-A-Way® Removable Terminal Carrier body types, select a terminal with a "V" groove.



Terminals not drawn to scale.

### EXPRESS Delivery



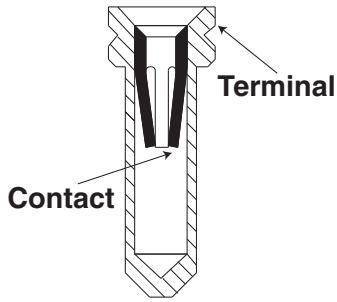
Terminals shown with the new EXPRESS symbol are available in most insulator body types with fast lead time. Some quantity and plating restrictions apply. Search our Distributor inventory online at [www.advanced.com](http://www.advanced.com), or check with customer service for availability.



5 Energy Way, West Warwick, RI 02893 USA  
Tel: 800.424.9850 | 401.823.5200  
Fax: 401.823.8723  
[info@advanced.com](mailto:info@advanced.com) | [www.advanced.com](http://www.advanced.com)  
Catalog 16A

## Socket (Female) Terminals

Contact Acceptance Range .016/(.41mm) - .022/(.56mm) Dia. or .010/(.25mm) x .018/(.46mm) Rectangular Lead



### Specifications:

#### Material:

Terminal: Brass - Copper Alloy (C36000) ASTM-B-16

Contact: Beryllium Copper - Copper Alloy (C17200) ASTM-B-194

#### Contact Plating:

G - Gold over Nickel  
T - Tin/Lead over Nickel

#### Terminal Plating:

G - Gold over Nickel  
M - Matte Tin over Nickel  
T - Tin/Lead over Nickel

Gold per ASTM-B-488  
Matte Tin per ASTM545-97  
Tin/Lead per MIL-P-81728  
Nickel per QQ-N-290

Note: For use in Peel-A-Way® Removable Terminal Carrier body types, select a terminal with a "V" groove.



Terminals not drawn to scale.

### EXPRESS Delivery



Terminals shown with the new EXPRESS symbol are available in most insulator body types with fast lead time. Some quantity and plating restrictions apply. Search our Distributor inventory online at [www.advanced.com](http://www.advanced.com), or check with customer service for availability.

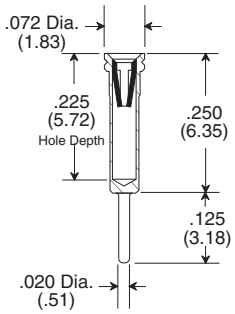
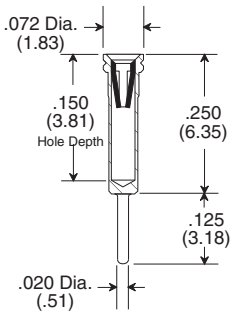
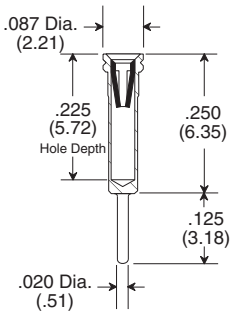
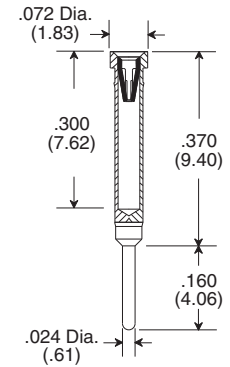
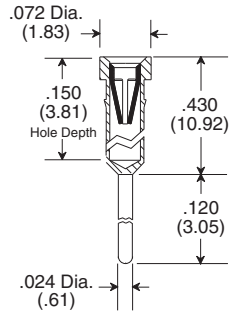
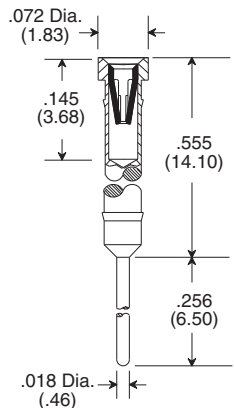
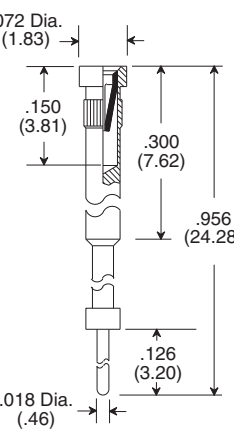
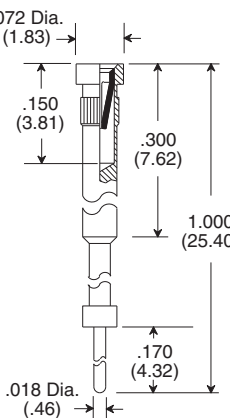
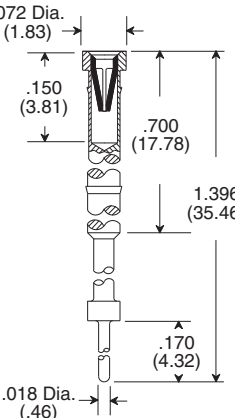
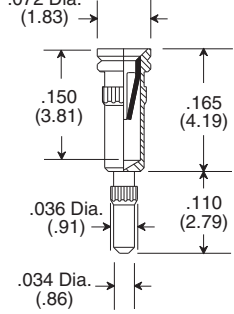
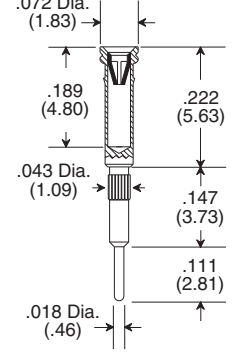
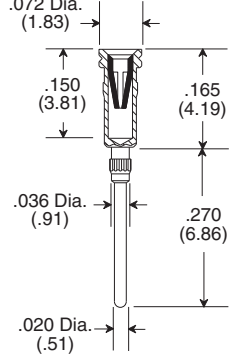
Type -33	Type -29	Type -87	Type -45
Part Number: 1106 Contact Group: C 	Part Number: 1094 Contact Group: C 	Part Number: 1403 Contact Group: C 	Part Number: 1326 Contact Group: C 
Type -178	Type -383	Type -487	Type -56
Part Number: 2241 Contact Group: C 	Part Number: 4164 Contact Group: C 	Part Number: 4420 Contact Group: C 	Part Number: 1255 Contact Group: C 
Type -30	Type -48	Type -223	Type -333
Part Number: 1125 Contact Group: C 	Part Number: 1214 Contact Group: C 	Part Number: 2992 Contact Group: C 	Part Number: 3715 Contact Group: C 

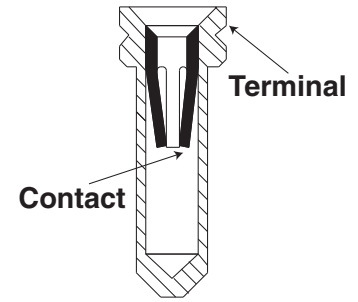


5 Energy Way, West Warwick, RI 02893 USA  
 Tel: 800.424.9850 | 401.823.5200  
 Fax: 401.823.8723  
[info@advanced.com](mailto:info@advanced.com) | [www.advanced.com](http://www.advanced.com)  
 Catalog 16A

## Socket (Female) Terminals

Contact Acceptance Range .016/(.41mm) - .022/(.56mm) Dia. or .010/(.25mm) x .018/(.46mm) Rectangular Lead

Type -488	Type -90	Type -577	Type -346
Part Number: 4422 Contact Group: C 	Part Number: 1374 Contact Group: C 	Part Number: 4689-2 Contact Group: C 	Part Number: 4036 Contact Group: C 
Type -141	Type -373	Type -382	Type -72
Part Number: 1928 Contact Group: C 	Part Number: 4134 Contact Group: C 	Part Number: 4163 Contact Group: C 	Part Number: 1066 Contact Group: C 
Type -372	Type -05	Type -240	Type -191
Part Number: 4133 Contact Group: C 	Part Number: 1028 Contact Group: C 	Part Number: 3151 Contact Group: C 	Part Number: 2390 Contact Group: C 



### Specifications:

#### Material:

Terminal: Brass - Copper Alloy (C36000) ASTM-B-16

Contact: Beryllium Copper - Copper Alloy (C17200) ASTM-B-194

#### Contact Plating:

G - Gold over Nickel  
T - Tin/Lead over Nickel

#### Terminal Plating:

G - Gold over Nickel  
M - Matte Tin over Nickel  
T - Tin/Lead over Nickel

Gold per ASTM-B-488  
Matte Tin per ASTM545-97  
Tin/Lead per MIL-P-81728  
Nickel per QQ-N-290

Note: For use in Peel-A-Way® Removable Terminal Carrier body types, select a terminal with a "V" groove.



Terminals not drawn to scale.

### EXPRESS Delivery



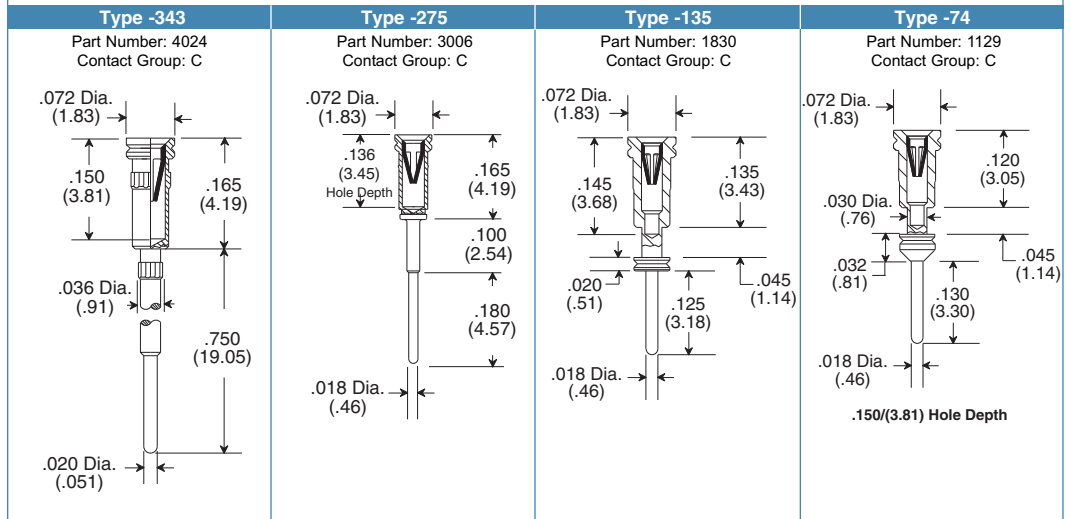
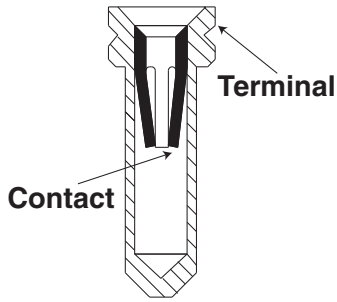
Terminals shown with the new EXPRESS symbol are available in most insulator body types with fast lead time. Some quantity and plating restrictions apply. Search our Distributor inventory online at [www.advanced.com](http://www.advanced.com), or check with customer service for availability.



5 Energy Way, West Warwick, RI 02893 USA  
Tel: 800.424.9850 | 401.823.5200  
Fax: 401.823.8723  
[info@advanced.com](mailto:info@advanced.com) | [www.advanced.com](http://www.advanced.com)  
Catalog 16A

## Socket (Female) Terminals

Contact Acceptance Range .016/(.41mm) - .022/(.56mm) Dia. or .010/(.25mm) x .018/(.46mm) Rectangular Lead



### Specifications:

#### Material:

Terminal: Brass - Copper Alloy (C36000) ASTM-B-16

Contact: Beryllium Copper - Copper Alloy (C17200) ASTM-B-194

#### Contact Plating:

G - Gold over Nickel  
T - Tin/Lead over Nickel

#### Terminal Plating:

G - Gold over Nickel  
M - Matte Tin over Nickel  
T - Tin/Lead over Nickel

Gold per ASTM-B-488  
Matte Tin per ASTM545-97  
Tin/Lead per MIL-P-81728  
Nickel per QQ-N-290

Note: For use in Peel-A-Way® Removable Terminal Carrier body types, select a terminal with a "V" groove.



Terminals not drawn to scale.

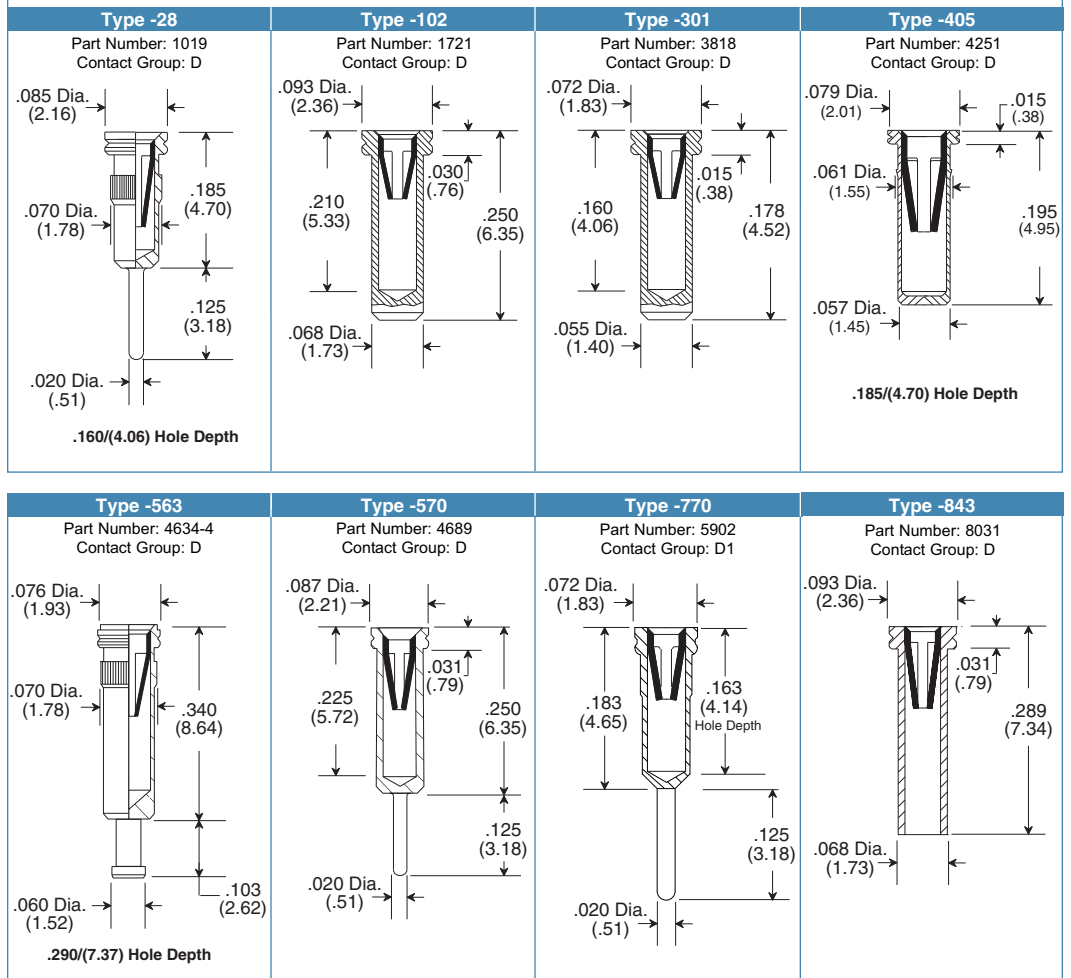
### EXPRESS Delivery

Terminals shown with the new EXPRESS symbol are available in most insulator body types with fast lead time. Some quantity and plating restrictions apply. Search our Distributor inventory online at [www.advanced.com](http://www.advanced.com), or check with customer service for availability.



## Socket (Female) Terminals

Contact Acceptance Range .022/(.56mm) - .032/(.81mm) Dia.

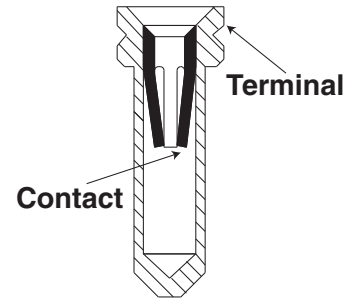


5 Energy Way, West Warwick, RI 02893 USA  
Tel: 800.424.9850 | 401.823.5200  
Fax: 401.823.8723  
info@advanced.com | www.advanced.com  
Catalog 16A

## Socket (Female) Terminals

Contact Acceptance Range .025/(.64mm) - .037/(.94mm) Dia. or .025/(.64mm) Square Lead

Type -284	Type -328	Type -332	Type -351
Part Number: 3501 Contact Group: D1	Part Number: 3409 Contact Group: D1	Part Number: 3844 Contact Group: D1	Part Number: 4074 Contact Group: D1
	.160/(4.06) Hole Depth	.225/(5.72) Hole Depth	.225/(5.72) Hole Depth
Type -483	Type -365	Type -585	Type -582
Part Number: 4079-1 Contact Group: D1	Part Number: 4097 Contact Group: D1	Part Number: 4789 Contact Group: D1	Part Number: 4775 Contact Group: D1
	.160/(4.06) Hole Depth	.225/(5.72) Hole Depth	



### Specifications:

#### Material:

Terminal: Brass - Copper Alloy (C36000) ASTM-B-16

Contact: Beryllium Copper - Copper Alloy (C17200) ASTM-B-194

#### Contact Plating:

G - Gold over Nickel  
T - Tin/Lead over Nickel

#### Terminal Plating:

G - Gold over Nickel  
M - Matte Tin over Nickel  
T - Tin/Lead over Nickel

Gold per ASTM-B-488  
Matte Tin per ASTM545-97  
Tin/Lead per MIL-P-81728  
Nickel per QQ-N-290

Note: For use in Peel-A-Way® Removable Terminal Carrier body types, select a terminal with a "V" groove.



Terminals not drawn to scale.

### EXPRESS Delivery



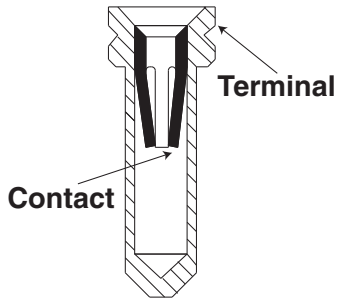
Terminals shown with the new EXPRESS symbol are available in most insulator body types with fast lead time. Some quantity and plating restrictions apply. Search our Distributor inventory online at [www.advanced.com](http://www.advanced.com), or check with customer service for availability.



5 Energy Way, West Warwick, RI 02893 USA  
Tel: 800.424.9850 | 401.823.5200  
Fax: 401.823.8723  
[info@advanced.com](mailto:info@advanced.com) | [www.advanced.com](http://www.advanced.com)  
Catalog 16A

## Socket (Female) Terminals

Contact Acceptance Range .032/(.81mm) - .047/(1.19mm) Dia.



### Specifications:

#### Material:

Terminal: Brass - Copper Alloy (C36000) ASTM-B-16

Contact: Beryllium Copper - Copper Alloy (C17200) ASTM-B-194

#### Contact Plating:

G - Gold over Nickel  
T - Tin/Lead over Nickel

#### Terminal Plating:

G - Gold over Nickel  
M - Matte Tin over Nickel  
T - Tin/Lead over Nickel

Gold per ASTM-B-488  
Matte Tin per ASTM545-97  
Tin/Lead per MIL-P-81728  
Nickel per QQ-N-290

Note: For use in Peel-A-Way® Removable Terminal Carrier body types, select a terminal with a "V" groove.

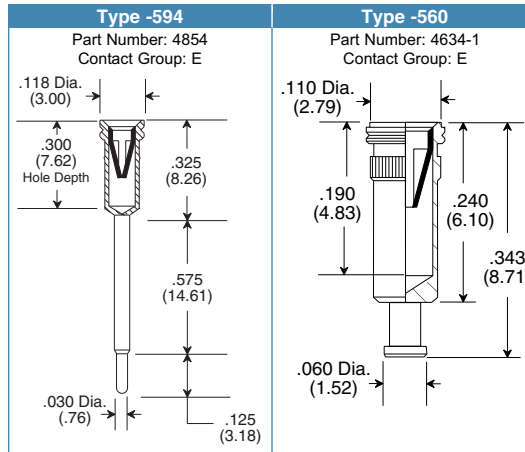
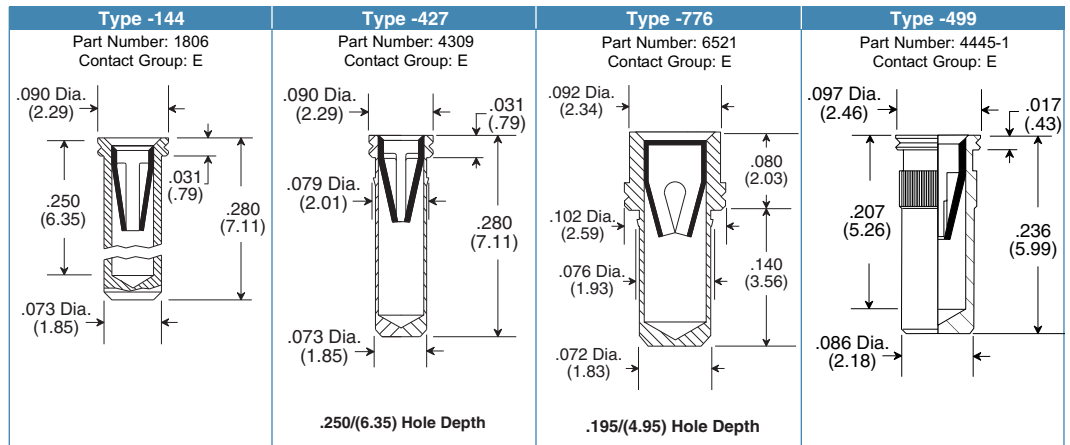
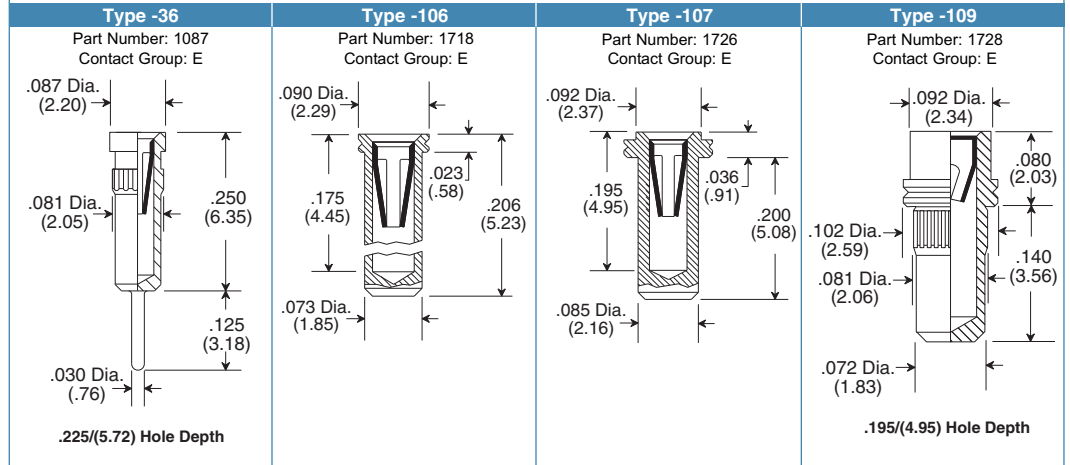


Terminals not drawn to scale.

### EXPRESS Delivery



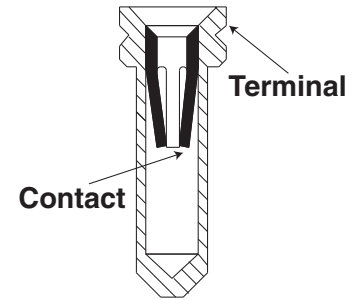
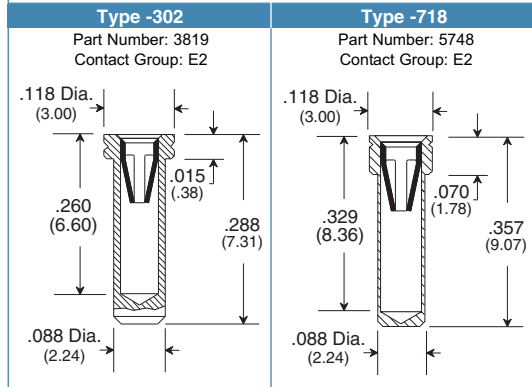
Terminals shown with the new EXPRESS symbol are available in most insulator body types with fast lead time. Some quantity and plating restrictions apply. Search our Distributor inventory online at [www.advanced.com](http://www.advanced.com), or check with customer service for availability.



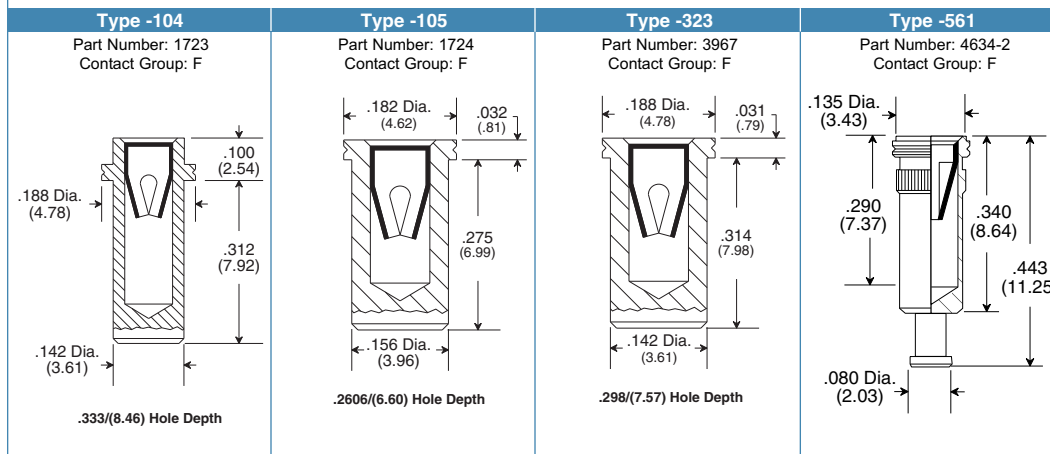
5 Energy Way, West Warwick, RI 02893 USA  
Tel: 800.424.9850 | 401.823.5200  
Fax: 401.823.8723  
info@advanced.com | www.advanced.com  
Catalog 16A

## Socket (Female) Terminals

Contact Acceptance Range .040/(1.02mm) - .060/(1.52mm) Dia.



Contact Acceptance Range .065/(1.65mm) - .082/(2.08mm) Dia.



### Specifications:

#### Material:

Terminal: Brass - Copper Alloy (C36000) ASTM-B-16

Contact: Beryllium Copper - Copper Alloy (C17200) ASTM-B-194

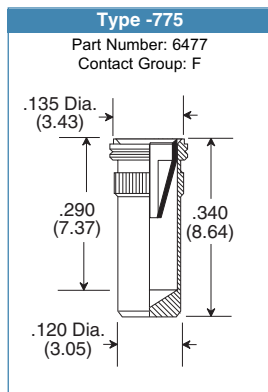
#### Contact Plating:

G - Gold over Nickel  
T - Tin/Lead over Nickel

#### Terminal Plating:

G - Gold over Nickel  
M - Matte Tin over Nickel  
T - Tin/Lead over Nickel

Gold per ASTM-B-488  
Matte Tin per ASTM545-97  
Tin/Lead per MIL-P-81728  
Nickel per QQ-N-290

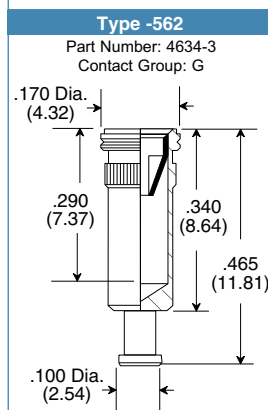


Note: For use in Peel-A-Way® Removable Terminal Carrier body types, select a terminal with a "V" groove.



Terminals not drawn to scale.

Contact Acceptance Range .084/(2.135mm) - .102/(2.59mm) Dia.



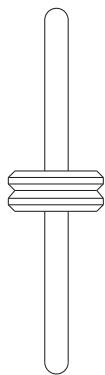
### EXPRESS Delivery



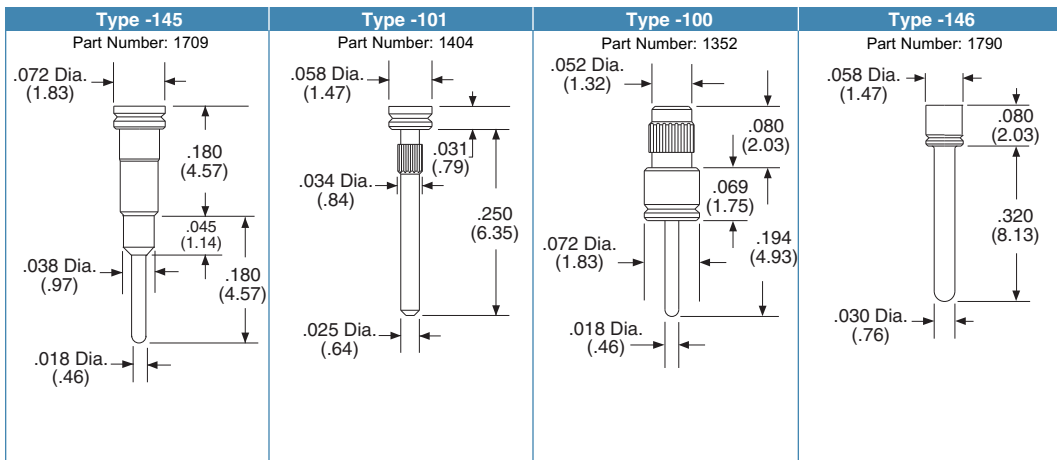
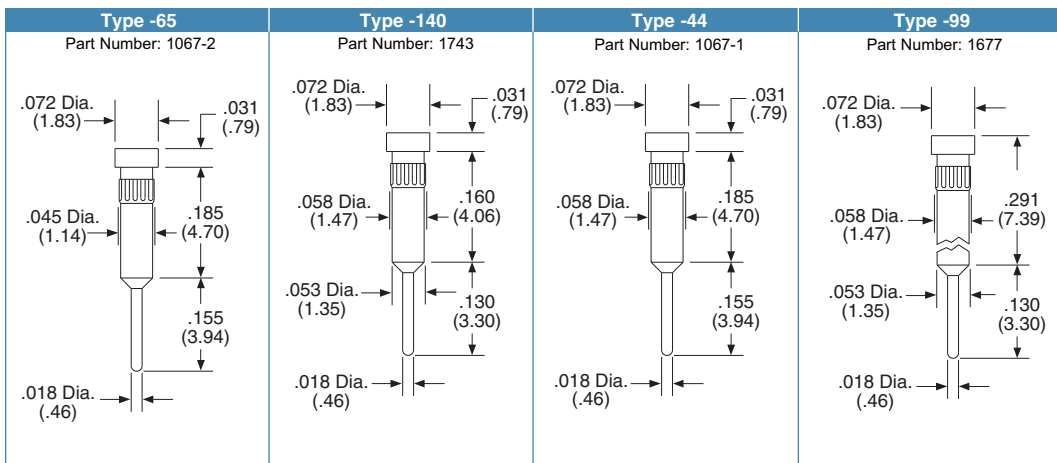
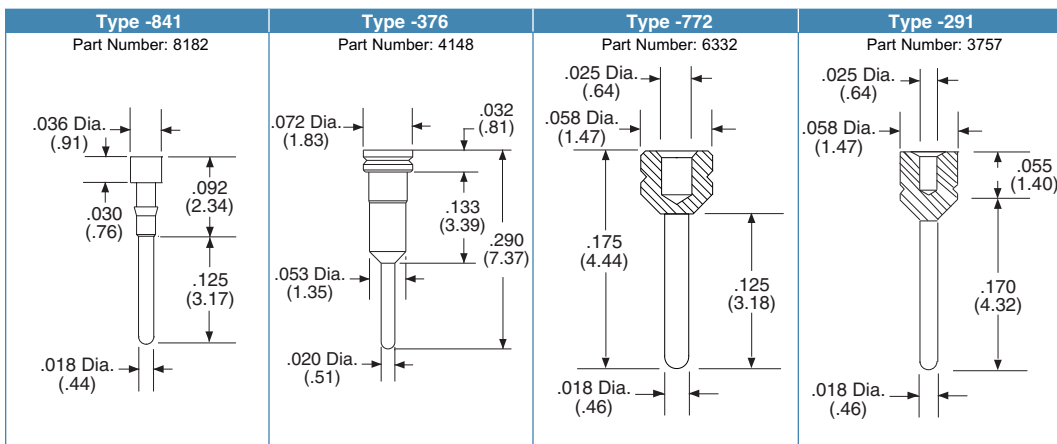
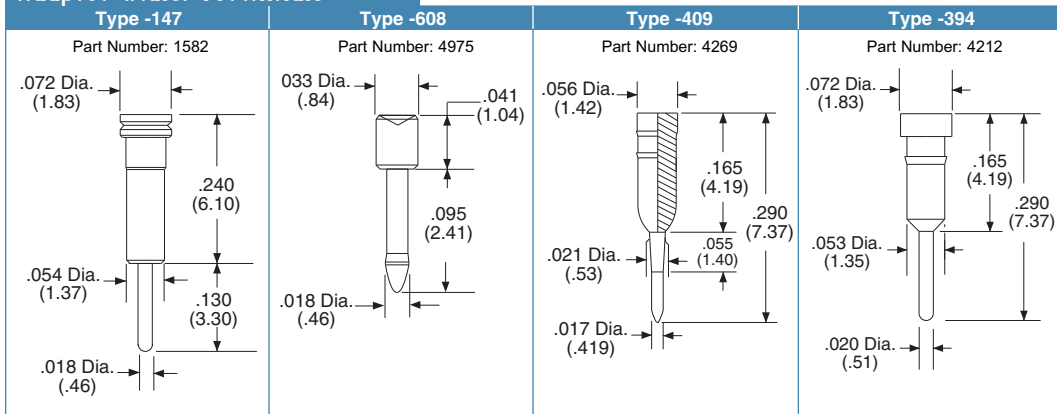
Terminals shown with the new EXPRESS symbol are available in most insulator body types with fast lead time. Some quantity and plating restrictions apply. Search our Distributor inventory online at [www.advanced.com](http://www.advanced.com), or check with customer service for availability.



5 Energy Way, West Warwick, RI 02893 USA  
Tel: 800.424.9850 | 401.823.5200  
Fax: 401.823.8723  
info@advanced.com | www.advanced.com  
Catalog 16A



## Adapter (Male) Terminals



### Specifications:

#### Material:

Terminal: Brass - Copper Alloy (C36000) ASTM-B-16

#### Terminal Plating:

- G - Gold over Nickel
- M - Matte Tin over Nickel
- T - Tin/Lead over Nickel

Gold per ASTM-B-488  
Matte Tin per ASTM545-97  
Tin/Lead per MIL-P-81728  
Nickel per QQ-N-290

Note: For use in Peel-A-Way® Removable Terminal Carrier body types, select a terminal with a "V" groove.



Terminals not drawn to scale.

### EXPRESS Delivery



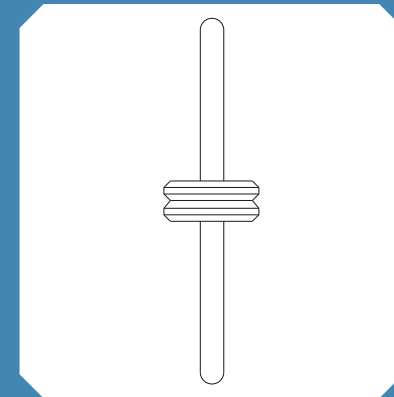
Terminals shown with the new EXPRESS symbol are available in most insulator body types with fast lead time. Some quantity and plating restrictions apply. Search our Distributor inventory online at [www.advanced.com](http://www.advanced.com), or check with customer service for availability.



5 Energy Way, West Warwick, RI 02893 USA  
Tel: 800.424.9850 | 401.823.5200  
Fax: 401.823.8723  
[info@advanced.com](mailto:info@advanced.com) | [www.advanced.com](http://www.advanced.com)  
Catalog 16A

## Adapter (Male) Terminals

<p><b>Type -337</b> Part Number: 3973</p>	<p><b>Type -336</b> Part Number: 3972</p>	<p><b>Type -603</b> Part Number: 4863</p>	<p><b>Type -525</b> Part Number: 4543-1</p>
<p><b>Type -526</b> Part Number: 4545-1</p>	<p><b>Type -583</b> Part Number: 4735-1</p>	<p><b>Type -574</b> Part Number: 4737-1</p>	<p><b>Type -575</b> Part Number: 4738-1</p>
<p><b>Type -593</b> Part Number: 4835</p>	<p><b>Type -576</b> Part Number: 4747-1</p>	<p><b>Type -558</b> Part Number: 4298-1</p>	<p><b>Type -786</b> Part Number: 7800</p>
<p><b>Type -349</b> Part Number: 4054</p>	<p><b>Type -137</b> Part Number: 1826</p>	<p><b>Type -355</b> Part Number: 4062</p>	<p><b>Type -571</b> Part Number: 4714</p>



### Specifications:

#### Material:

Terminal: Brass - Copper Alloy (C36000) ASTM-B-16

#### Terminal Plating:

G - Gold over Nickel  
M - Matte Tin over Nickel  
T - Tin/Lead over Nickel

Gold per ASTM-B-488  
Matte Tin per ASTM545-97  
Tin/Lead per MIL-P-81728  
Nickel per QQ-N-290

Note: For use in Peel-A-Way® Removable Terminal Carrier body types, select a terminal with a "V" groove.

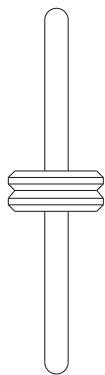


Terminals not drawn to scale.

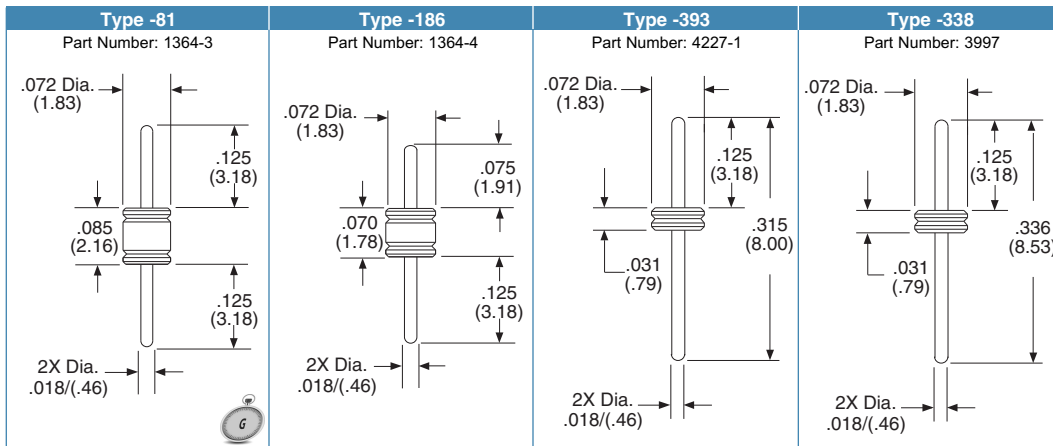
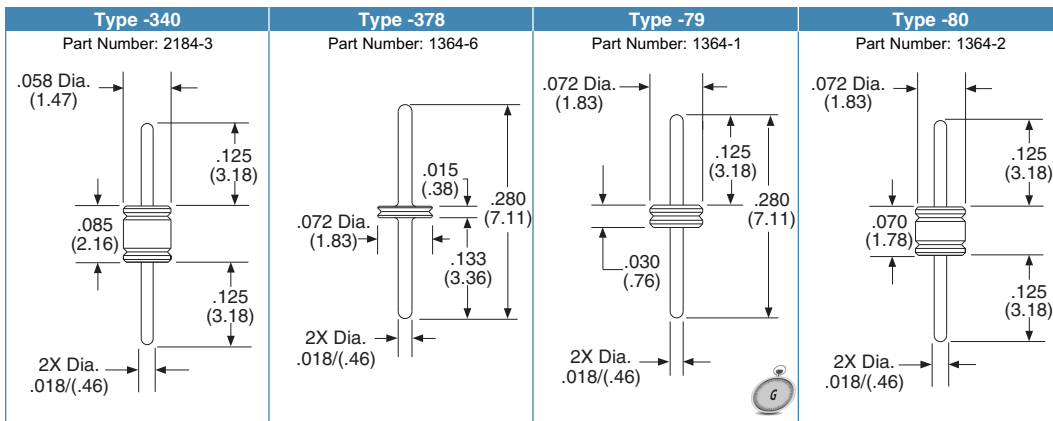
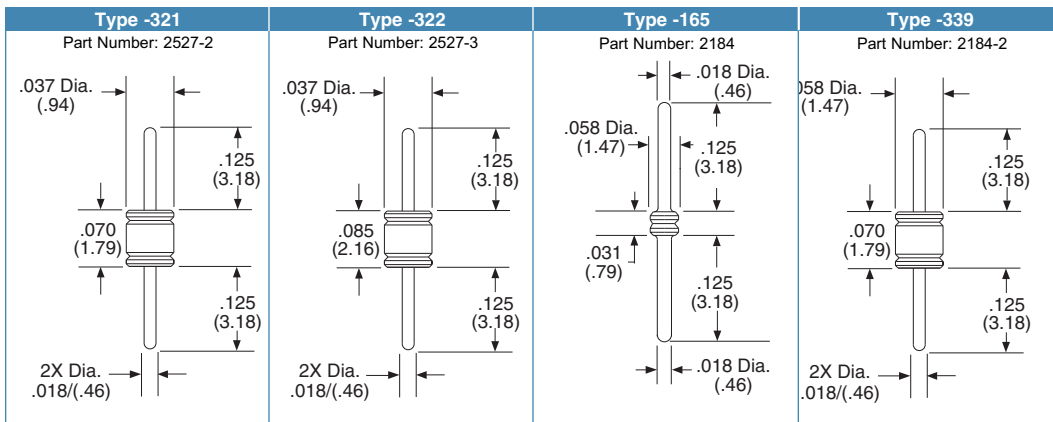
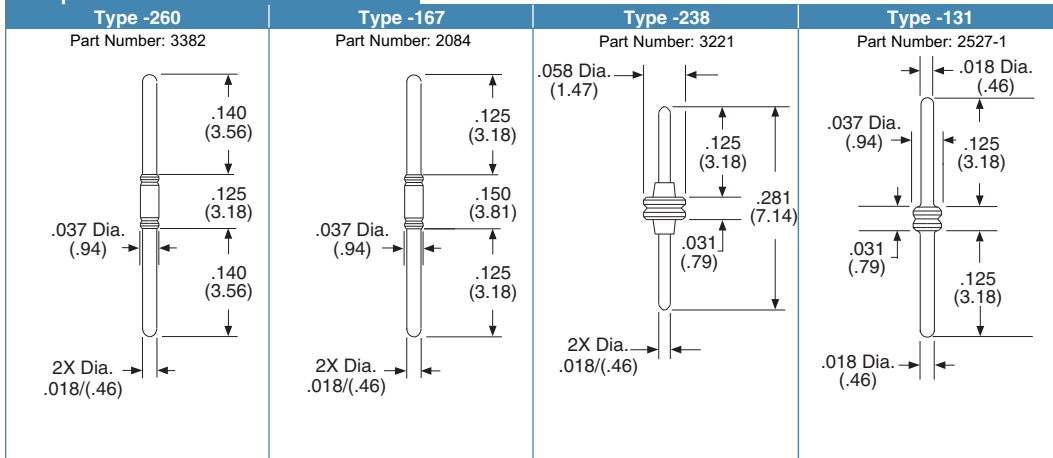
### EXPRESS Delivery



Terminals shown with the new EXPRESS symbol are available in most insulator body types with fast lead time. Some quantity and plating restrictions apply. Search our Distributor inventory online at [www.advanced.com](http://www.advanced.com), or check with customer service for availability.



## Adapter (Male) Terminals



### Specifications:

#### Material:

Terminal: Brass - Copper Alloy (C36000) ASTM-B-16

#### Terminal Plating:

- G - Gold over Nickel
- M - Matte Tin over Nickel
- T - Tin/Lead over Nickel

Gold per ASTM-B-488  
 Matte Tin per ASTM545-97  
 Tin/Lead per MIL-P-81728  
 Nickel per QQ-N-290

Note: For use in Peel-A-Way® Removable Terminal Carrier body types, select a terminal with a "V" groove.



Terminals not drawn to scale.

### EXPRESS Delivery

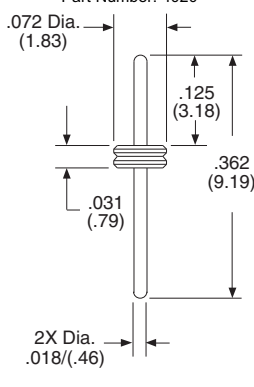
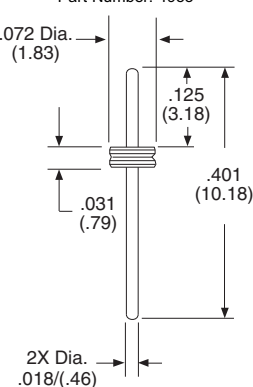
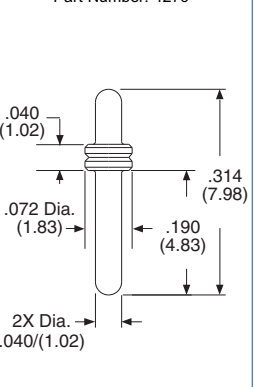
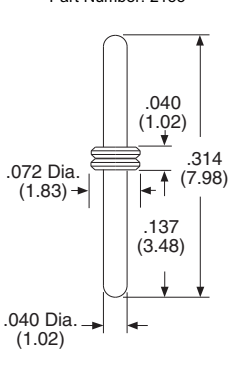
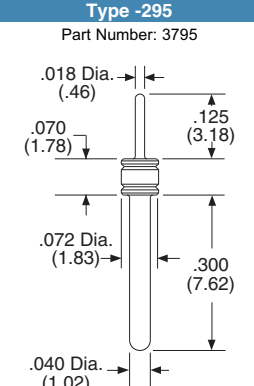
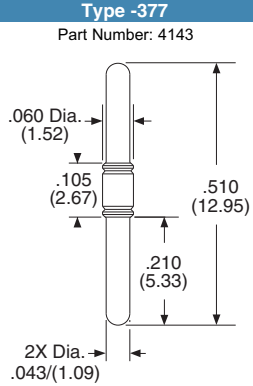
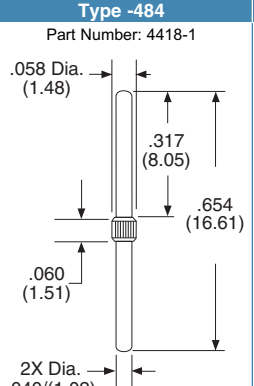
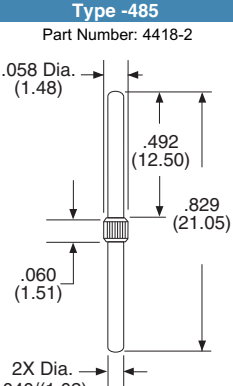
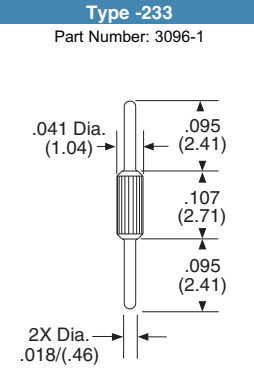
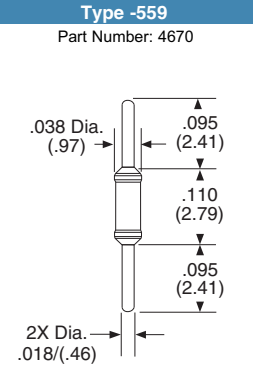
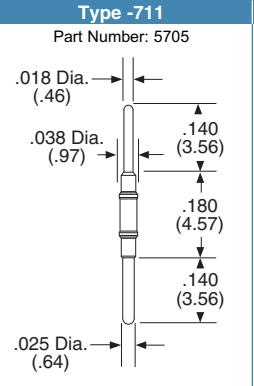
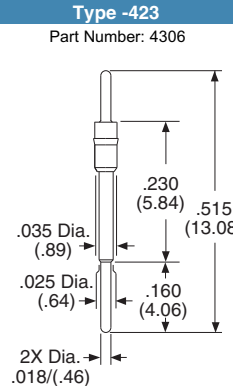
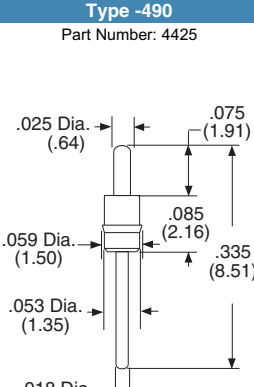
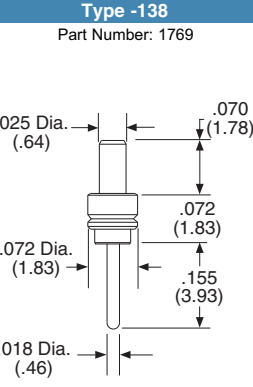
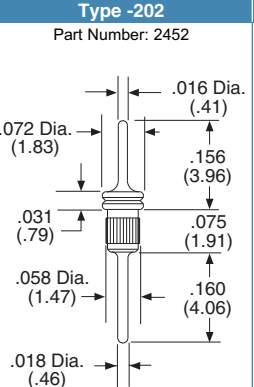
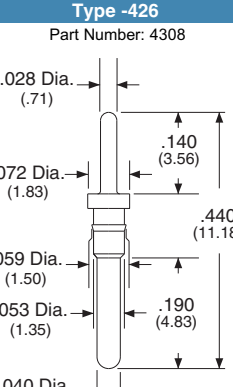


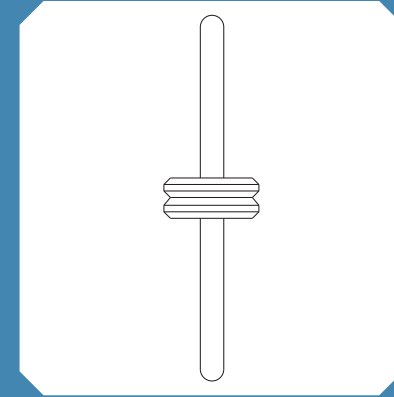
Terminals shown with the new EXPRESS symbol are available in most insulator body types with fast lead time. Some quantity and plating restrictions apply. Search our Distributor inventory online at [www.advanced.com](http://www.advanced.com), or check with customer service for availability.



5 Energy Way, West Warwick, RI 02893 USA  
 Tel: 800.424.9850 | 401.823.5200  
 Fax: 401.823.8723  
[info@advanced.com](mailto:info@advanced.com) | [www.advanced.com](http://www.advanced.com)  
 Catalog 16A

## Adapter (Male) Terminals

<p><b>Type -341</b> Part Number: 4020</p> 	<p><b>Type -606</b> Part Number: 4953</p> 	<p><b>Type -413</b> Part Number: 4279</p> 	<p><b>Type -169</b> Part Number: 2155</p> 
<p><b>Type -295</b> Part Number: 3795</p> 	<p><b>Type -377</b> Part Number: 4143</p> 	<p><b>Type -484</b> Part Number: 4418-1</p> 	<p><b>Type -485</b> Part Number: 4418-2</p> 
<p><b>Type -233</b> Part Number: 3096-1</p> 	<p><b>Type -559</b> Part Number: 4670</p> 	<p><b>Type -711</b> Part Number: 5705</p> 	<p><b>Type -423</b> Part Number: 4306</p> 
<p><b>Type -490</b> Part Number: 4425</p> 	<p><b>Type -138</b> Part Number: 1769</p> 	<p><b>Type -202</b> Part Number: 2452</p> 	<p><b>Type -426</b> Part Number: 4308</p> 



### Specifications:

#### Material:

Terminal: Brass - Copper Alloy (C36000) ASTM-B-16

#### Terminal Plating:

G - Gold over Nickel  
M - Matte Tin over Nickel  
T - Tin/Lead over Nickel

Gold per ASTM-B-488  
Matte Tin per ASTM545-97  
Tin/Lead per MIL-P-81728  
Nickel per QQ-N-290

Note: For use in Peel-A-Way® Removable Terminal Carrier body types, select a terminal with a "V" groove.



Terminals not drawn to scale.

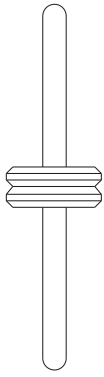
### EXPRESS Delivery



Terminals shown with the new EXPRESS symbol are available in most insulator body types with fast lead time. Some quantity and plating restrictions apply. Search our Distributor inventory online at [www.advanced.com](http://www.advanced.com), or check with customer service for availability.



5 Energy Way, West Warwick, RI 02893 USA  
Tel: 800.424.9850 | 401.823.5200  
Fax: 401.823.8723  
info@advanced.com | www.advanced.com  
Catalog 16A



## Adapter (Male) Terminals

<p><b>Type -569</b> Part Number: 4696</p>	<p><b>Type -319</b> Part Number: 3957</p>	<p><b>Type -142</b> Part Number: 1863</p>	<p><b>Type -544</b> Part Number: 4616</p> <p><b>Hole Depth .040/(1.01)</b></p>
<p><b>Type -599</b> Part Number: 4875</p> <p><b>Hole Depth .045/(1.14)</b></p>	<p><b>Type -600</b> Part Number: 4876</p> <p><b>Hole Depth .062/(1.57)</b></p>	<p><b>Type -188</b> Part Number: 2342</p>	<p><b>Type -444</b> Part Number: 4375</p>
<p><b>Type -08</b> Part Number: 1077</p>	<p><b>Type -09</b> Part Number: 1078</p>	<p><b>Type -286</b> Part Number: 3626</p>	<p><b>Type -277</b> Part Number: 3359</p>
<p><b>Type -804</b> Part Number: 8386</p>	<p><b>Type -43</b> Part Number: 1216-2</p>	<p><b>Type -278</b> Part Number: 3366</p>	<p><b>Type -185</b> Part Number: 1216-5</p>

### Specifications:

#### Material:

Terminal: Brass - Copper Alloy  
(C36000) ASTM-B-16

#### Terminal Plating:

G - Gold over Nickel  
M - Matte Tin over Nickel  
T - Tin/Lead over Nickel

Gold per ASTM-B-488  
Matte Tin per ASTM545-97  
Tin/Lead per MIL-P-81728  
Nickel per QQ-N-290

Note: For use in Peel-A-Way®  
Removable Terminal  
Carrier body types,  
select a terminal  
with a "V" groove.



Terminals not drawn to scale.

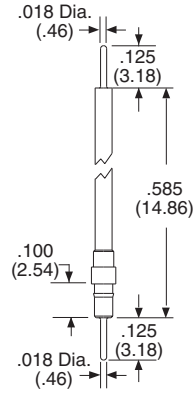
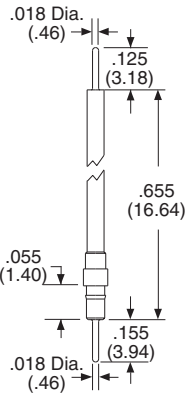
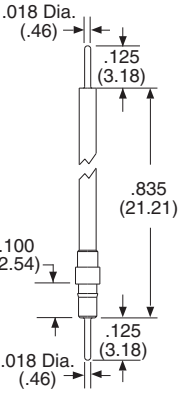
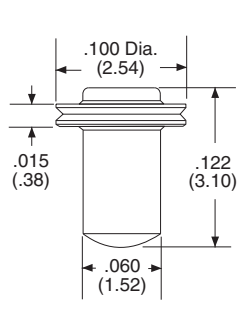
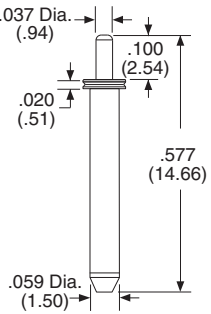
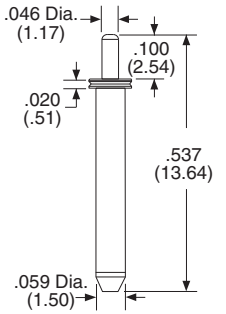
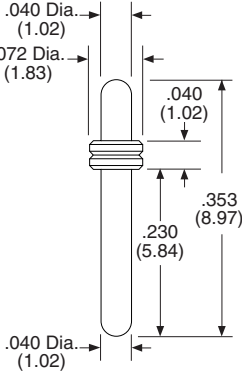
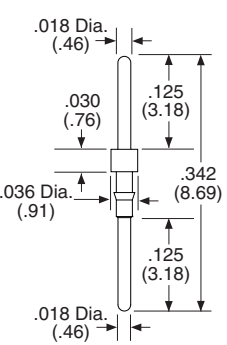
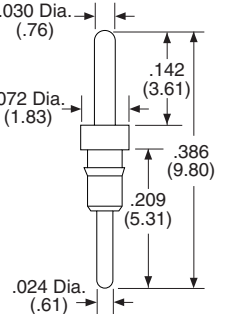
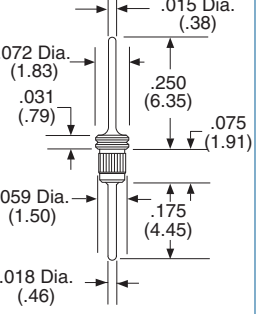
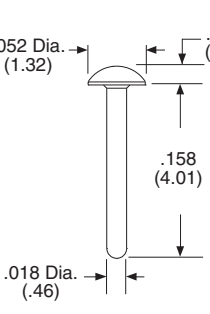
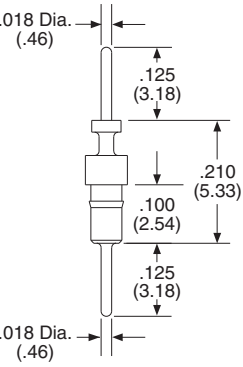
### EXPRESS Delivery

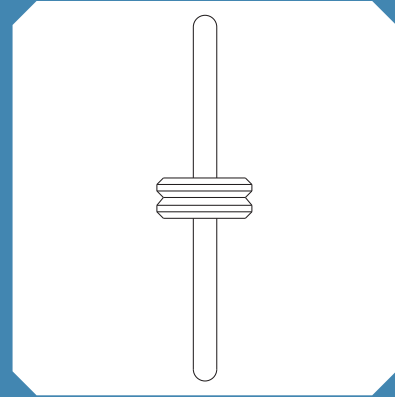


Terminals shown with the new EXPRESS symbol are available in most insulator body types with fast lead time. Some quantity and plating restrictions apply. Search our Distributor inventory online at [www.advanced.com](http://www.advanced.com), or check with customer service for availability.



5 Energy Way, West Warwick, RI 02893 USA  
Tel: 800.424.9850 | 401.823.5200  
Fax: 401.823.8723  
[info@advanced.com](mailto:info@advanced.com) | [www.advanced.com](http://www.advanced.com)  
Catalog 16A

Adapter (Male) Terminals			
<p><b>Type -42</b> Part Number: 1216-3</p> 	<p><b>Type -360</b> Part Number: 1216-6</p> 	<p><b>Type -71</b> Part Number: 1216-4</p> 	<p><b>Type -506</b> Part Number: 4522</p> 
<p><b>Type -539</b> Part Number: 4621</p> 	<p><b>Type -540</b> Part Number: 4622</p> 	<p><b>Type -771</b> Part Number: 6041</p> 	<p><b>Type -721</b> Part Number: 5843-1</p> 
<p><b>Type -727</b> Part Number: 5926</p> 	<p><b>Type -626</b> Part Number: 5030</p> 	<p><b>Type -420</b> Part Number: 4298</p> 	<p><b>Type -68</b> Part Number: 1216-1</p> 



### Specifications:

#### Material:

Terminal: Brass - Copper Alloy (C36000) ASTM-B-16

#### Terminal Plating:

- G - Gold over Nickel
- M - Matte Tin over Nickel
- T - Tin/Lead over Nickel

Gold per ASTM-B-488  
Matte Tin per ASTM545-97  
Tin/Lead per MIL-P-81728  
Nickel per QQ-N-290

Note: For use in Peel-A-Way® Removable Terminal Carrier body types, select a terminal with a "V" groove.

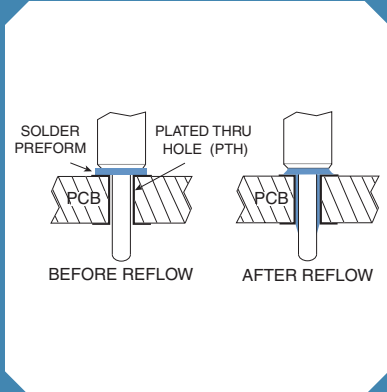


Terminals not drawn to scale.

### EXPRESS Delivery

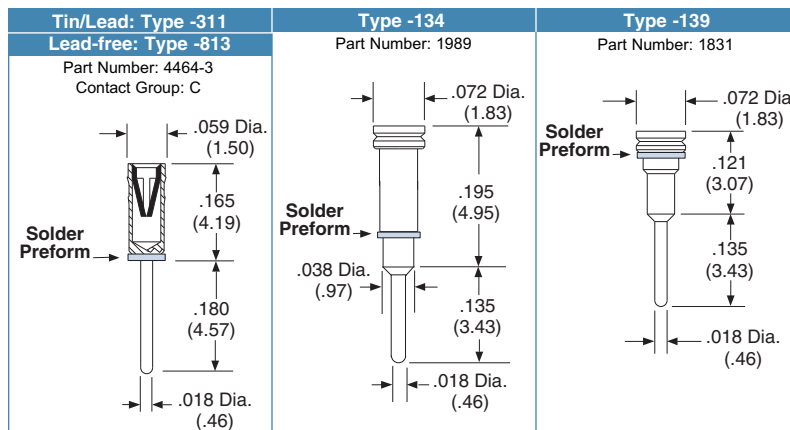
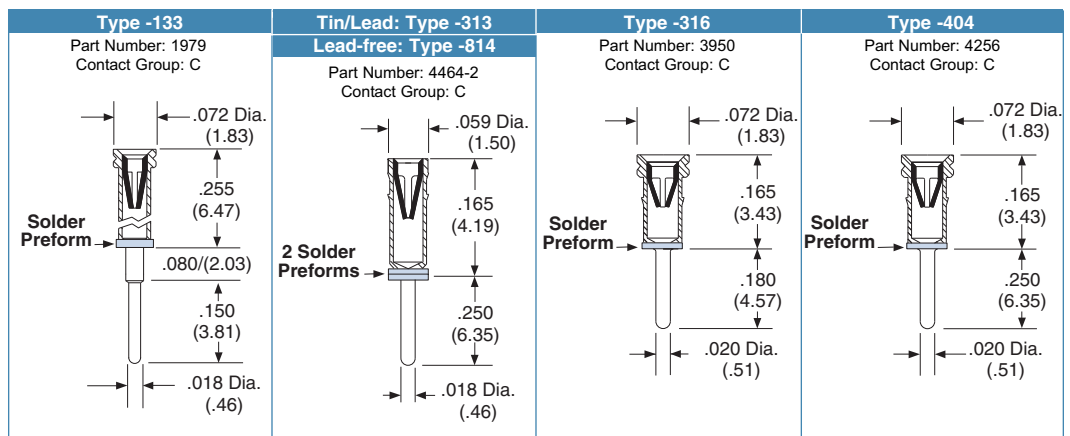
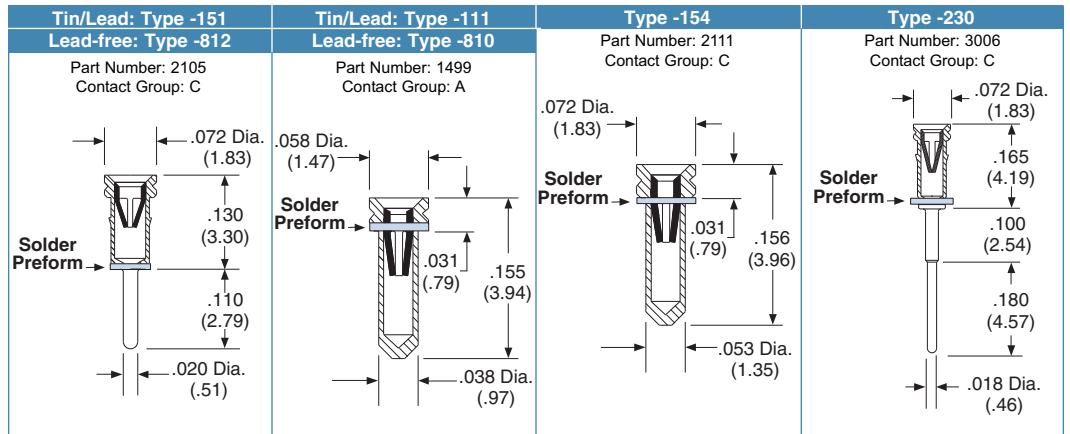
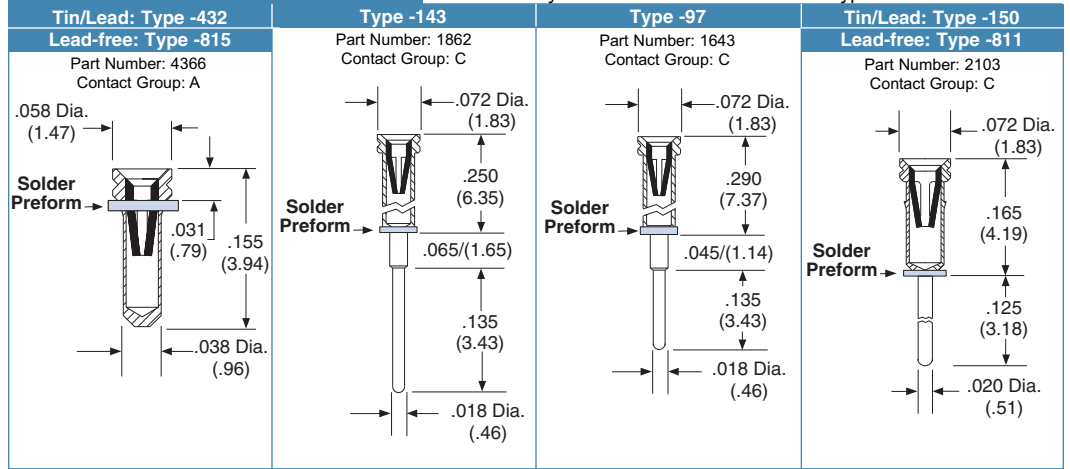


Terminals shown with the new EXPRESS symbol are available in most insulator body types with fast lead time. Some quantity and plating restrictions apply. Search our Distributor inventory online at [www.advanced.com](http://www.advanced.com), or check with customer service for availability.



## Solder Preform Terminals

Consult factory for additional lead-free terminal type numbers not shown.



If not indicated, terminals are shown with our standard Tin/Lead solder preform. For additional Lead-free preform Terminal Type numbers, consult factory.

### Specifications:

#### Material:

Terminal: Brass - Copper Alloy (C36000) ASTM-B-16

#### Solder Preform:

Standard: 63Sn/37Pb  
Lead-free: 95.5Sn/4.0Ag/0.5Cu

#### Contact Plating:

G - Gold over Nickel  
T - Tin/Lead over Nickel

#### Terminal Plating:

G - Gold over Nickel  
M - Matte Tin over Nickel  
T - Tin/Lead over Nickel

Gold per ASTM-B-488

Matte Tin per ASTM545-97

Tin/Lead per MIL-P-81728

Nickel per QQ-N-290

Note: For use in Peel-A-Way® Removable Terminal Carrier body types, select a terminal with a "V" groove.



Terminals not drawn to scale.

### EXPRESS Delivery



Terminals shown with the new EXPRESS symbol are available in most insulator body types with fast lead time. Some quantity and plating restrictions apply. Search our Distributor inventory online at [www.advanced.com](http://www.advanced.com), or check with customer service for availability.



5 Energy Way, West Warwick, RI 02893 USA  
Tel: 800.424.9850 | 401.823.5200  
Fax: 401.823.8723  
info@advanced.com | www.advanced.com  
Catalog 16A

## Contact Information

Date: \_\_\_\_\_

Company Name: \_\_\_\_\_

Address: \_\_\_\_\_

City: \_\_\_\_\_ State: \_\_\_\_\_ ZIP: \_\_\_\_\_ Country: \_\_\_\_\_

Specifier: \_\_\_\_\_ Title: \_\_\_\_\_

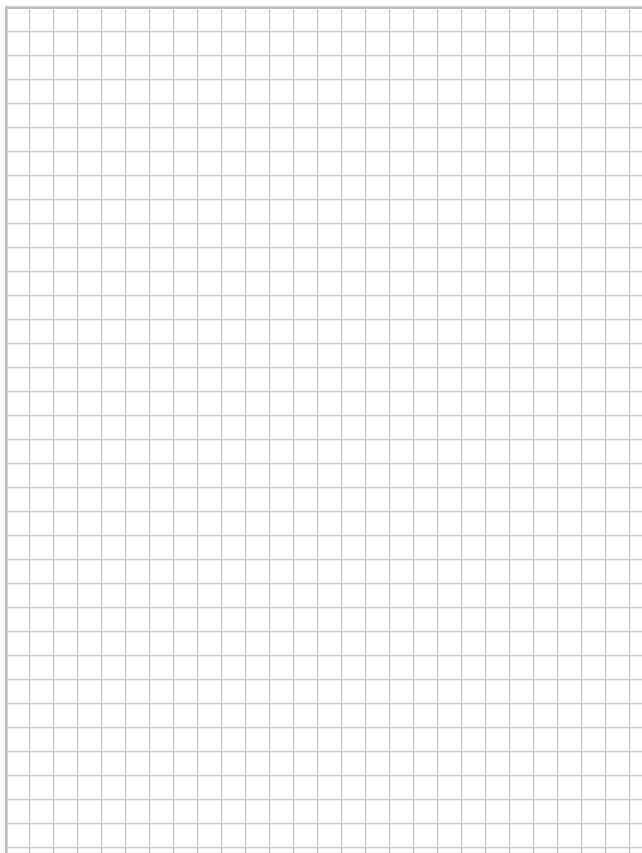
Phone: \_\_\_\_\_ Fax: \_\_\_\_\_

Email: \_\_\_\_\_



## Terminal Information

1. **Similar Advanced Part #:** \_\_\_\_\_
2. **Terminal Material:**  
 Brass
3. **Terminal Plating:**  
 Tin/Lead over Nickel  
 Gold over Nickel  
 Matte Tin over Nickel
4. **Contact Material:**  
 Beryllium Copper
5. **Contact Plating:**  
 Tin/Lead over Nickel  
 Gold over Nickel
6. **Size of Mating Pin or Component Lead:** \_\_\_\_\_
7. **Length of Mating Pin/Lead:** \_\_\_\_\_
8. **Use Advanced Contact Part:** \_\_\_\_\_  
 (See pages 82-83)
9. **Required Insertion/Extraction Force:**  
 Low  
 Medium  
 High
10. **Outline Sketch:**  
 (Sketch terminal with all critical dimensions. See sample below.)



Sample Sketch

