

# 0.50mm, 0.65mm, 0.75mm & Custom Pitches Board to Board Connectors

Board to Board Connectors from Advanced Interconnections Corp. are designed for long-life applications and robust handling. Screw-machined terminals with multi-finger contacts combine with value-added features including protective pick-and-place covers or heavy duty, shrouded insulators to provide positive polarization and superior durability. Standard connectors can be easily customized for application-specific requirements.

## FEATURES

- Superior electrical performance - very low signal attenuation up to 1.9 GHz for 0.50mm pitch or 3.5 GHz for 0.65mm pitch
- Field-proven screw-machined terminals with multi-finger contacts, arranged in an interstitial male/female pin pattern are gold plated for gold/gold interconnect
- No external hold-downs required
- Standard eutectic Tin/Lead or lead-free Tin/Silver/Copper solder ball terminals for RoHS Compliant applications
- Shrouding feature protects pin field and aids in hand placement with optional stand-offs available
- Available in any 0.50mm, 0.65mm or 0.75mm pitch footprint
- Multi-pitch and custom pitch available

## PERFORMANCE

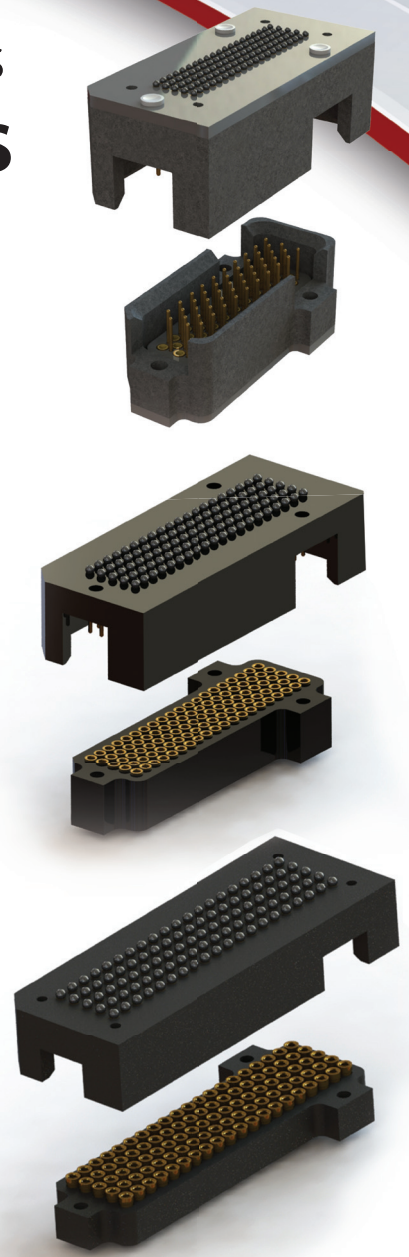
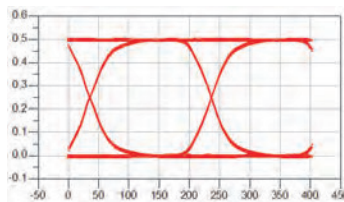
Even with adjacent aggressor excitation, our socket system provides a differential data path of +/- 175mV @ 100psec and a single-ended data path of +/- 125mV @ 140psec.

Innovative hybrid design ensures that adjacent terminal electromagnetic coupling is trivial; greatly reducing NeXT & FeXT, while creating a pseudo-matched impedance environment; stabilizing the insertion & return loss response rates.

## DIFFERENTIAL

	INSERTION LOSS	RETURN LOSS
<b>0.50mm</b>	-0.40dB @ 1.0GHz -0.55dB @ 1.9GHz	-15.0dB @ 1.0GHz -10.0dB @ 1.9GHz
<b>0.65mm</b>	-0.25dB @ 3.5GHz	-14.0dB @ 3.5GHz

Additional electrical performance, signal integrity analysis data, and models available online.



## STANDARD & SMT ADAPTERS



Type -833  
Sn/Ag/Cu Solder Ball

Type -832  
Sn/Pb Solder Ball

## STANDARD SOCKET



Type -833  
Sn/Ag/Cu Solder Ball

Type -832  
Sn/Pb Solder Ball



5 Energy Way, West Warwick, Rhode Island 02893 USA  
Tel 800.424.9850 | 401.823.5200 | Fax 401.823.8723  
info@advanced.com | www.advanced.com

# 0.50mm, 0.65mm, 0.75mm & Custom Pitches Board to Board Connectors

## Specifications

	Socket	Adapter
Min Row Count X	5	5
Min Row Count Y	7	7
Overall Size 'X' (mm)	(Row count - 1) * 0.5 + 5	(Row count - 1) * 0.5 + 5
Overall Size 'Y' (mm)	(Row count - 1) * 0.5 + 4	(Row count - 1) * 0.5 + 5
Insulator Thickness inches (mm)	4.60 (.180)	5.20 (.203)
Stack Height(s) inches (mm)	5.44 (.214)	

## 0.50mm Pitch

Part Numbers	Socket	Adapter
Leaded Tray Packed	BBMXXX-832GG	BAMXXX-832GG
Leaded Tape & Reel	BBMXXX-832GGTR	BAMXXX-832GGTR
Lead Free Tray Packed	BBMXXX-833GG	BAMXXX-833GG
Lead Free Tape & Reel	BBMXXX-833GGTR	BAMXXX-833GGTR

## 0.65mm Pitch

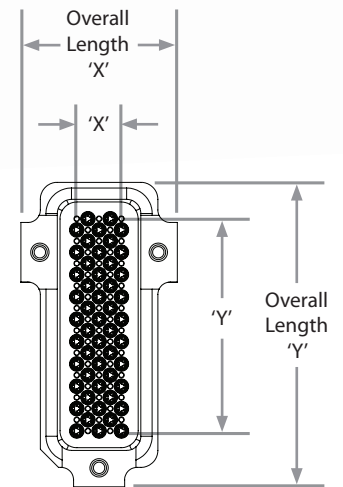
Part Numbers	Socket	Adapter
Leaded Tray Packed	BBLXXX-832GG	BALXXX-832GG
Leaded Tape & Reel	BBLXXX-832GGTR	BALXXX-832GGTR
Lead Free Tray Packed	BBLXXX-833GG	BALXXX-833GG
Lead Free Tape & Reel	BBLXXX-833GGTR	BALXXX-833GGTR

## 0.75mm Pitch

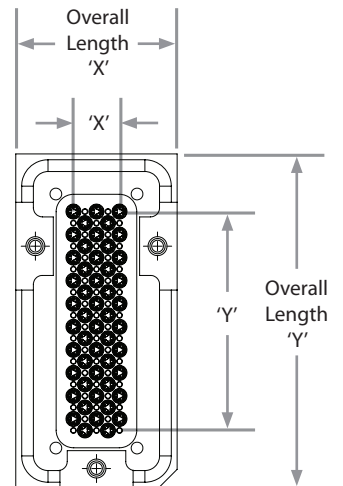
Part Numbers	Socket	Adapter
Leaded Tray Packed	BBKXXX-832GG	BAKXXX-833GGTR
Leaded Tape & Reel	BBKXXX-832GGTR	BAKXXX-832GGTR
Lead Free Tray Packed	BBKXXX-833GG	BAKXXX-833GG
Lead Free Tape & Reel	BBKXXX-833GGTR	BAKXXX-833GGTR

## FOOTPRINT

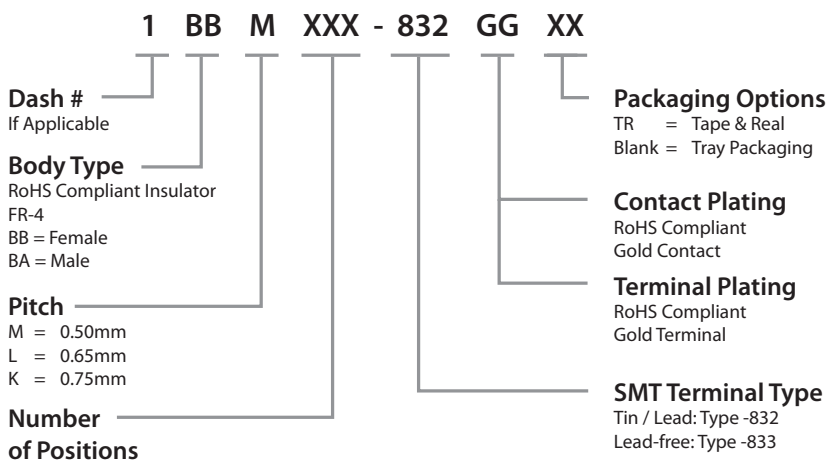
### SOCKET



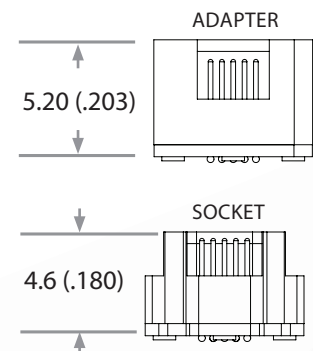
### ADAPTER



## HOW TO ORDER



## INSULATOR THICKNESS inches (mm)



5 Energy Way, West Warwick, Rhode Island 02893 USA  
Tel 800.424.9850 | 401.823.5200 | Fax 401.823.8723  
info@advanced.com | www.advanced.com